

NOTE

1. THIS DRAWING IS THE PROPERTY OF BUILDERS AND DESIGNERS (A Unit of MAESTER), AND SHALL NOT BE COPIED OR USED WITHOUT PRIOR PERMISSION.

5. IN CASE OF ANY ISSUE WITH THE DRAWING OR MEASUREMENT BEFORE TAKING A CALL WE SHOULD BE INFORMED.

TITLE

WARDROBE OUTSIDE ELEVATION WITH DETAIL

SCALE: 1:20

CLIENT:- Mr. RAFI

DATE OF ISSUE: 02.03.2026

REVISION		SHEET A3
SN	REVISION NO	DATE
01	R0	02.03.2026



www.buildersanddesigners.com

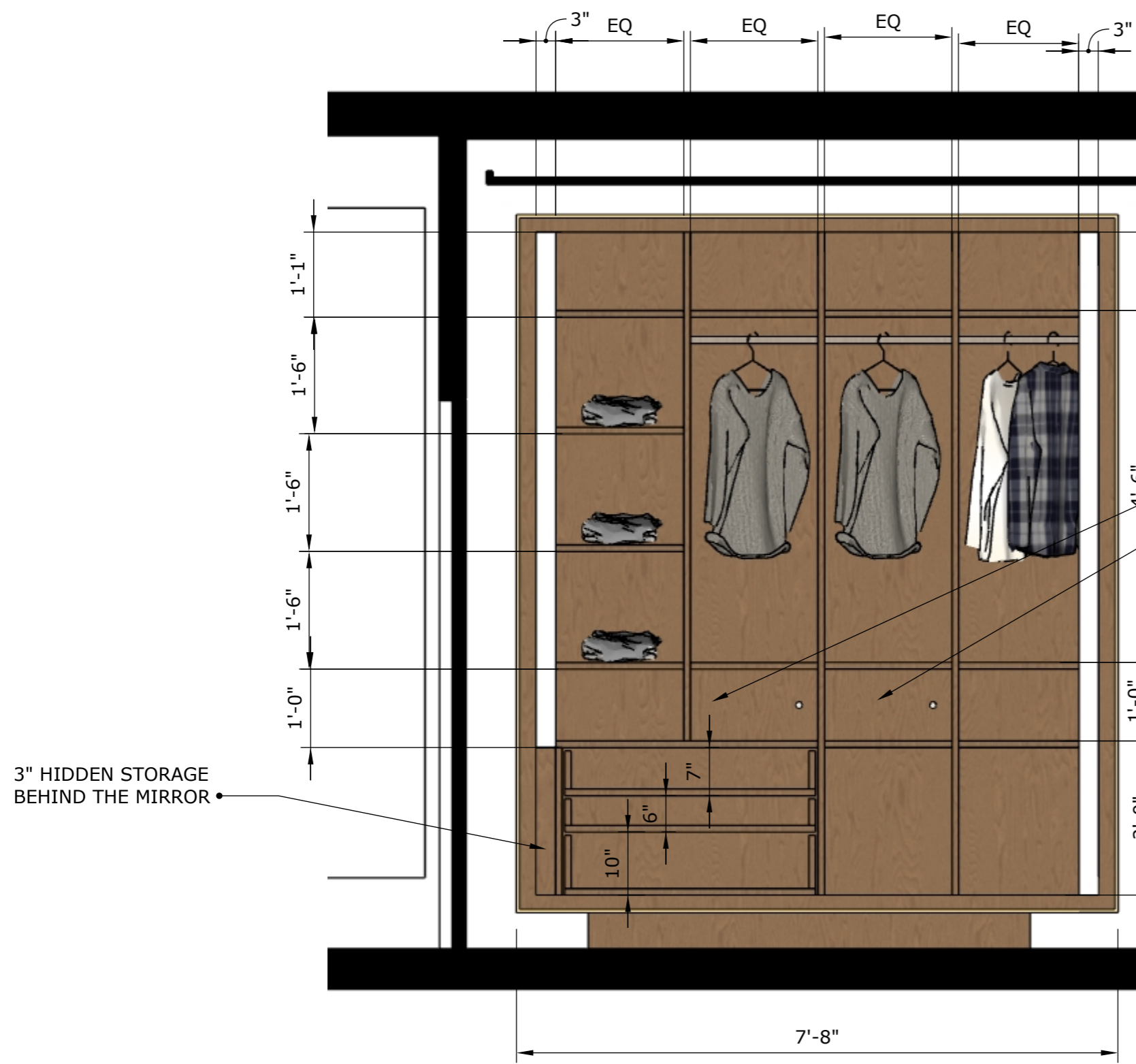
DESIGN BY TABREZ

DRAWN BY TABREZ

CHECKED BY TAHER

DRAWING NO BnDRFHI - 1

1 WARDROBE OUTSIDE ELEVATION



NOTE

1. THIS DRAWING IS THE PROPERTY OF BUILDERS AND DESIGNERS (A Unit of MAESTER), AND SHALL NOT BE COPIED OR USED WITHOUT PRIOR PERMISSION.

5. IN CASE OF ANY ISSUE WITH THE DRAWING OR MEASUREMENT BEFORE TAKING A CALL WE SHOULD BE INFORMED.

TITLE

WARDROBE INSIDE ELEVATION DETAIL

SCALE: 1:20

CLIENT:- Mr. RAFI

DATE OF ISSUE: 02.03.2026

REVISION		SHEET A3
SN	REVISION NO	DATE
01	R0	02.03.2026

80730 21127 79753 37855

Builders and Designers
plan, design, build

www.buildersanddesigners.com

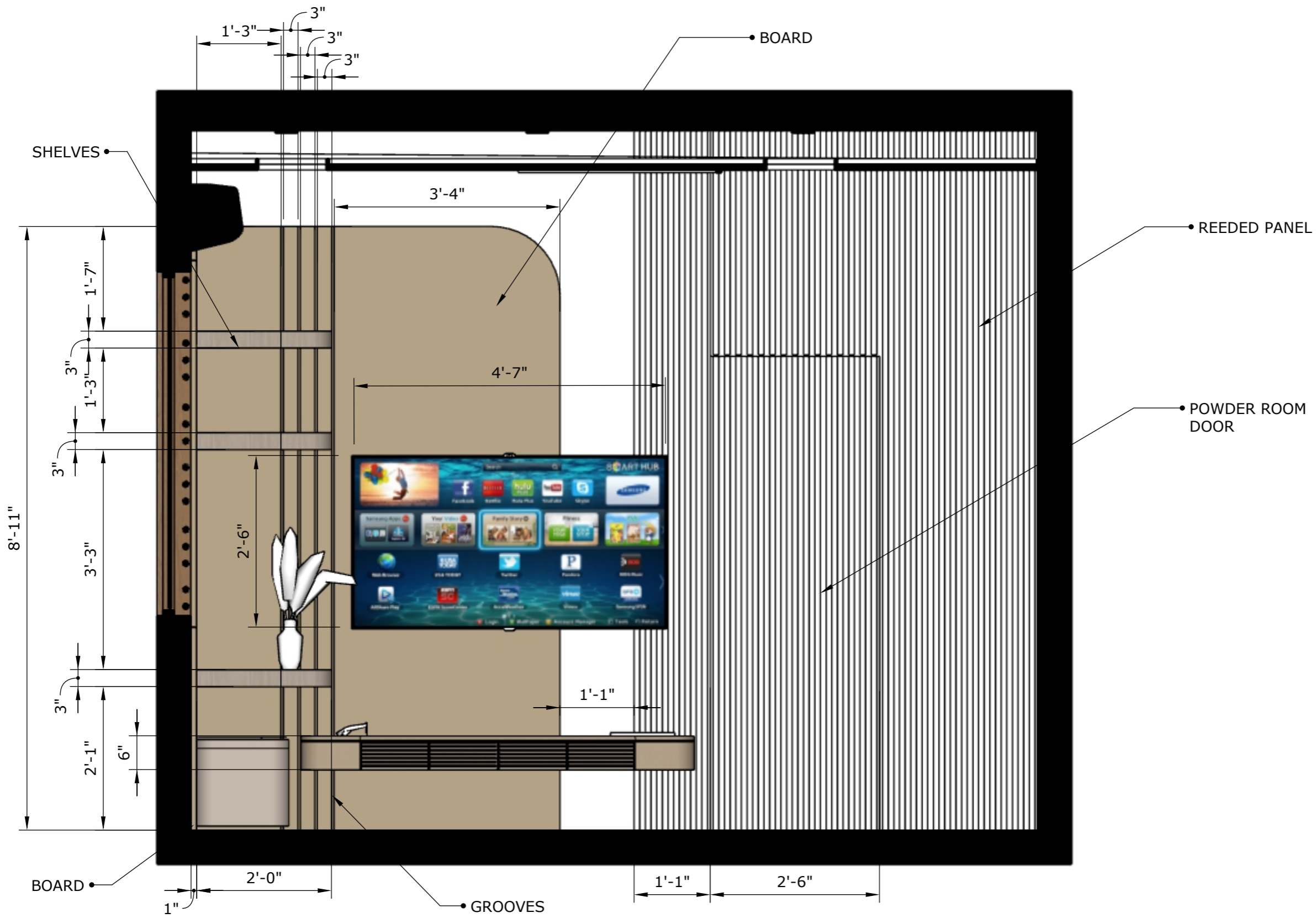
DESIGN BY TABREZ

DRAWN BY TABREZ

CHECKED BY TAHER

DRAWING NO BnDRFHI - 2

1 WARDROBE INSIDE ELEVATION



NOTE

1. THIS DRAWING IS THE PROPERTY OF BUILDERS AND DESIGNERS (A Unit of MAESTER), AND SHALL NOT BE COPIED OR USED WITHOUT PRIOR PERMISSION.

5. IN CASE OF ANY ISSUE WITH THE DRAWING OR MEASUREMENT BEFORE TAKING A CALL WE SHOULD BE INFORMED.

TITLE

TV UNIT WALL ELEVATION DETAIL


SCALE: 1:20

CLIENT:- Mr. RAFI

DATE OF ISSUE: 02.03.2026

REVISION		SHEET A3
SN	REVISION NO	DATE
01	R0	02.03.2026

80730 21127 79753 37855



Builders and Designers
plan, design, build

www.buildersanddesigners.com

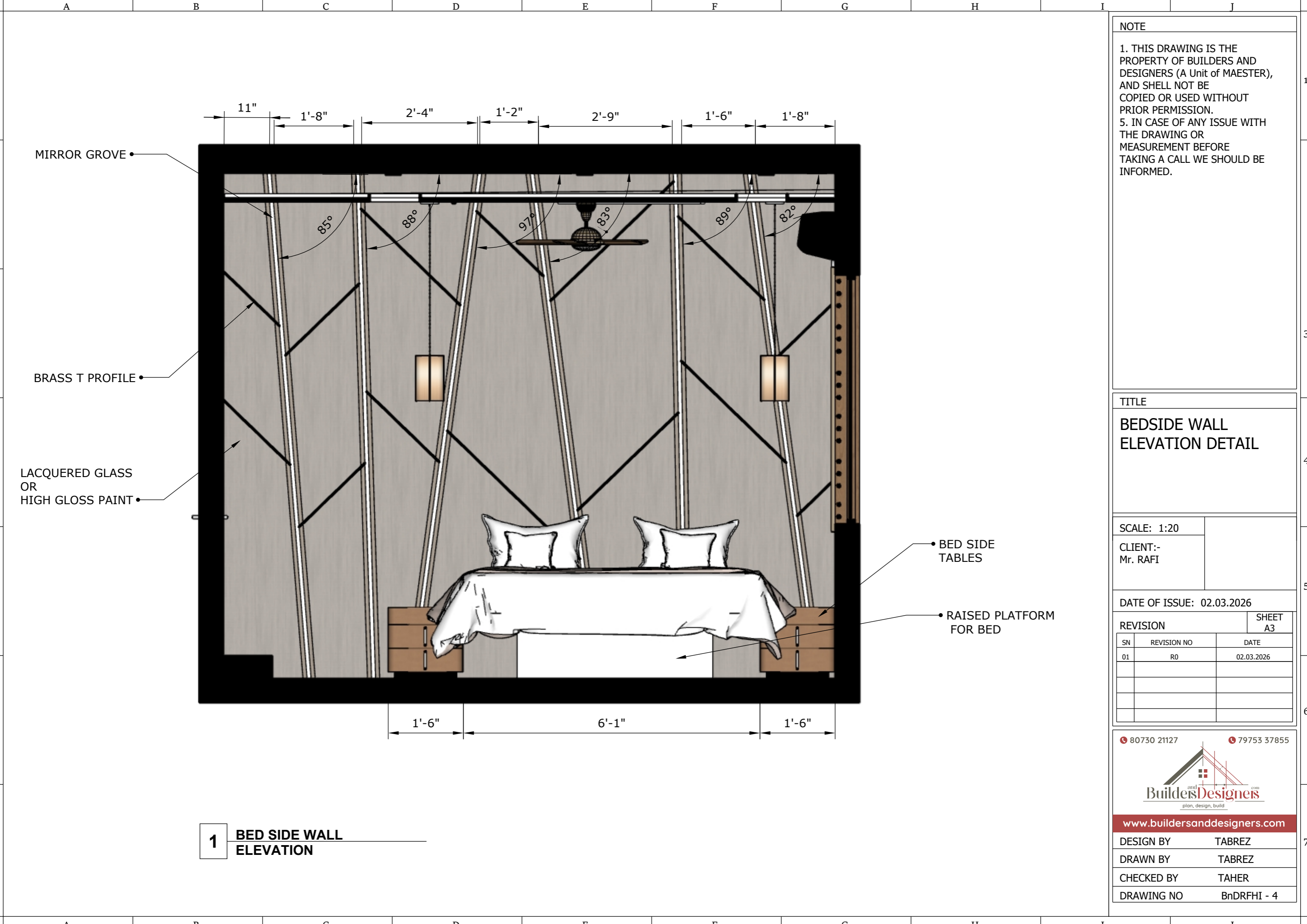
DESIGN BY TABREZ

DRAWN BY TABREZ

CHECKED BY TAHER

DRAWING NO BnDRFHI - 3

1 TV UNIT WALL ELEVATION



NOTE

1. THIS DRAWING IS THE PROPERTY OF BUILDERS AND DESIGNERS (A Unit of MAESTER), AND SHALL NOT BE COPIED OR USED WITHOUT PRIOR PERMISSION.

5. IN CASE OF ANY ISSUE WITH THE DRAWING OR MEASUREMENT BEFORE TAKING A CALL WE SHOULD BE INFORMED.

TITLE

BEDSIDE WALL ELEVATION DETAIL

SCALE: 1:20

CLIENT:- Mr. RAFI

DATE OF ISSUE: 02.03.2026

REVISION		SHEET A3
SN	REVISION NO	DATE
01	R0	02.03.2026

80730 21127 79753 37855



www.buildersanddesigners.com

DESIGN BY TABREZ

DRAWN BY TABREZ

CHECKED BY TAHER

DRAWING NO BnDRFHI - 4

1 BED SIDE WALL ELEVATION

NOTE

1. THIS DRAWING IS THE PROPERTY OF BUILDERS AND DESIGNERS (A Unit of MAESTER), AND SHALL NOT BE COPIED OR USED WITHOUT PRIOR PERMISSION.

5. IN CASE OF ANY ISSUE WITH THE DRAWING OR MEASUREMENT BEFORE TAKING A CALL WE SHOULD BE INFORMED.

TITLE

WINDOW WALL ELEVATION DETAIL

SCALE: 1:20

CLIENT:- Mr. RAFI

DATE OF ISSUE: 02.03.2026

REVISION		SHEET A3
SN	REVISION NO	DATE
01	R0	02.03.2026

80730 21127 79753 37855



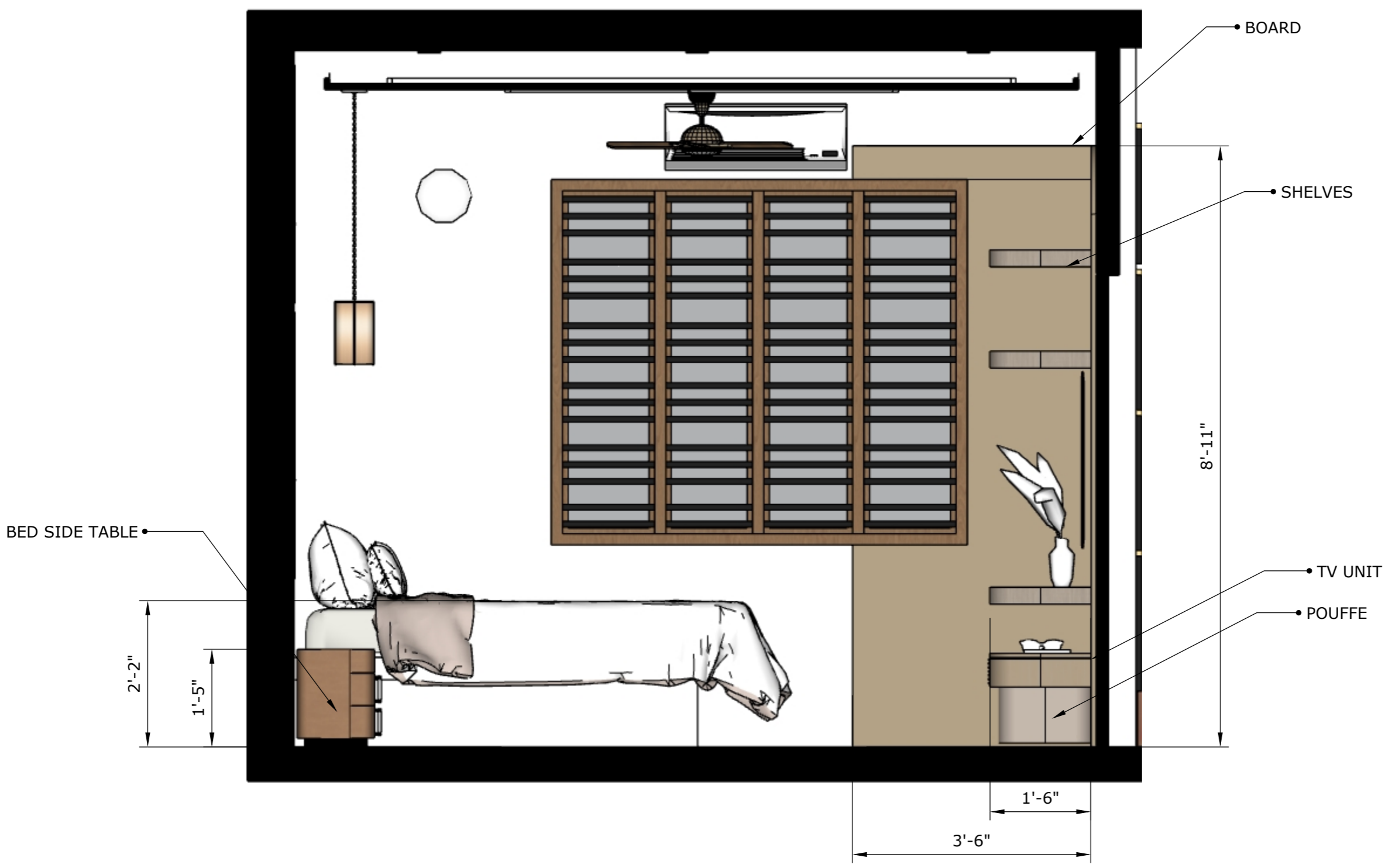
www.buildersanddesigners.com

DESIGN BY TABREZ

DRAWN BY TABREZ

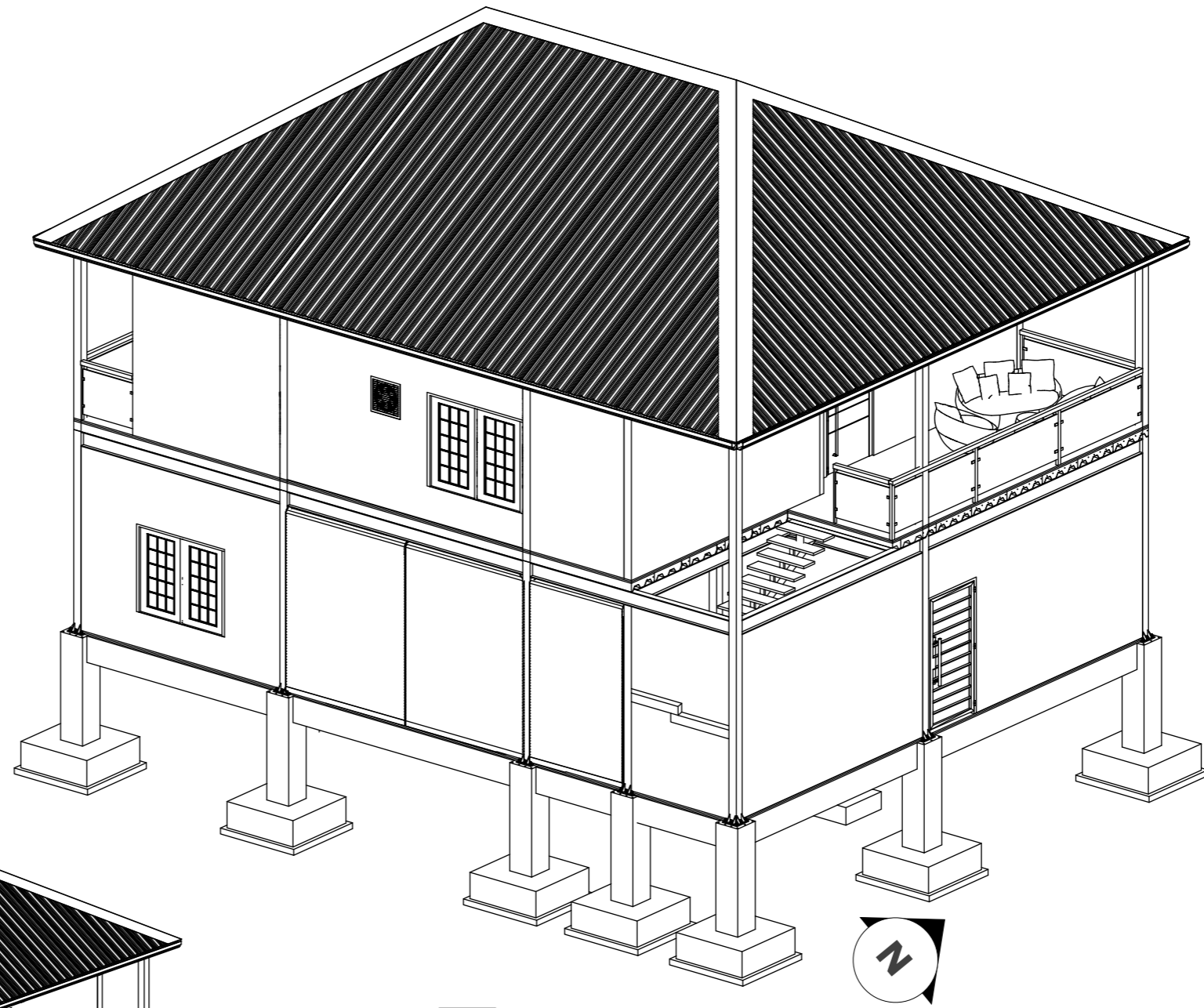
CHECKED BY TAHER

DRAWING NO BnDRFHI - 5

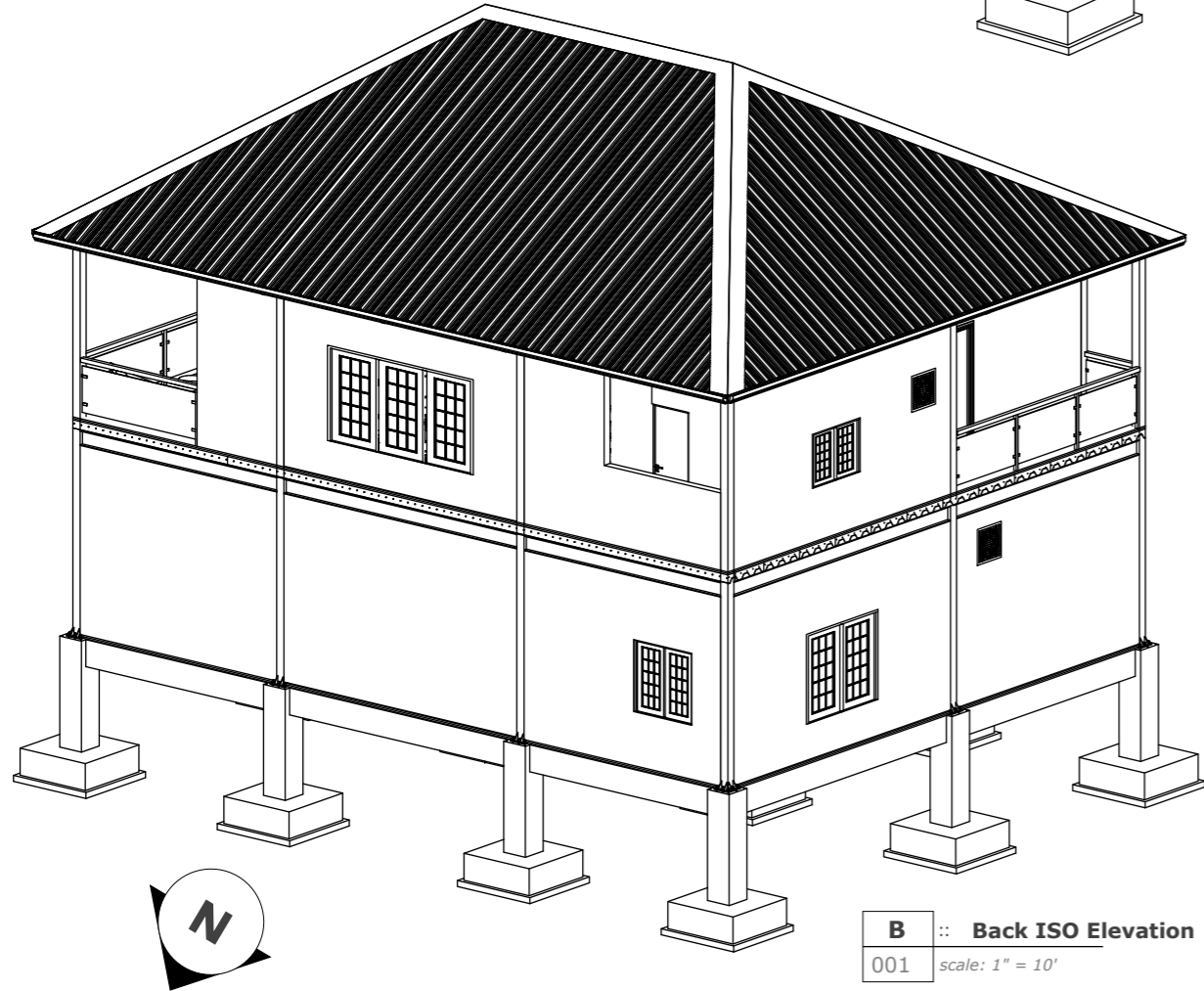


1 WINDOW WALL ELEVATION

SHEET NUMBER	SHEET NAME
BnDRFH - 1	Cover Page
BnDRFH - 2	Full Structure
BnDRFH - 3	Front Elevation
BnDRFH - 4	GF Plan
BnDRFH - 5	FF Plan
BnDRFH - 6	Excavation Marking
BnDRFH - 7	Footing Detail
BnDRFH - 8	Plinth Beam and anchor plate
BnDRFH - 9	Column and Base Plate
BnDRFH - 10	First Floor Beam Layout
BnDRFH - 11	Deck Slab Reinforcement
BnDRFH - 12	Roof Beam Detail
BnDRFH - 13	Roof Rafters and Purlins Detail
BnDRFH - 14	Staircase Detail



A :: Front ISO Elevation
001 scale: 1/8" = 1'-0"



B :: Back ISO Elevation
001 scale: 1" = 10'

NOTE
1. THIS DRAWING IS THE PROPERTY OF BUILDERS AND DESIGNERS (A Unit of MAESTER (r)) AND SHALL NOT BE COPIED OR USED WITHOUT PRIOR PERMISSION.
2. IN CASE OF ANY ISSUE WITH THE DRAWING OR MEASUREMENT BEFORE TAKING A CALL WE SHOULD BE INFORMED.

TITLE
COVER PAGE

SCALE:
CLIENT:-
Mr. RAFI



DATE OF ISSUE: 04.05.2026

REVISION		SHEET A3
SN	REVISION NO	DATE
01	R0	05.03.2026
02	R1	04.05.2026

Client: Mr. Rafi
Address: Gauribidanur,
Chikkaballapur Taluk, Karnataka.
Site Dimensions: 35'x45'
Site Type: Farmhouse

Floors: G+1
Substructure: RCC
Super Structure: MS
Walls and Finishes: Civil

80730 21127 79753 37855



www.buildersanddesigners.com

DESIGN BY	TABREZ
DRAWN BY	TAHER
CHECKED BY	TABREZ
DRAWING NO	BnDRFH - 1

B :: Full Sec ISO 1
001 scale: 3/16" = 1'-0"

NOTE
1. THIS DRAWING IS THE PROPERTY OF BUILDERS AND DESIGNERS (A Unit of MAESTER (r)) AND SHALL NOT BE COPIED OR USED WITHOUT PRIOR PERMISSION.
2. IN CASE OF ANY ISSUE WITH THE DRAWING OR MEASUREMENT BEFORE TAKING A CALL WE SHOULD BE INFORMED.

TITLE
ISOMETRIC DETAIL VIEW OF THE STRUCTURE

SCALE:

CLIENT:-
Mr. RAFI



DATE OF ISSUE: 04.05.2026

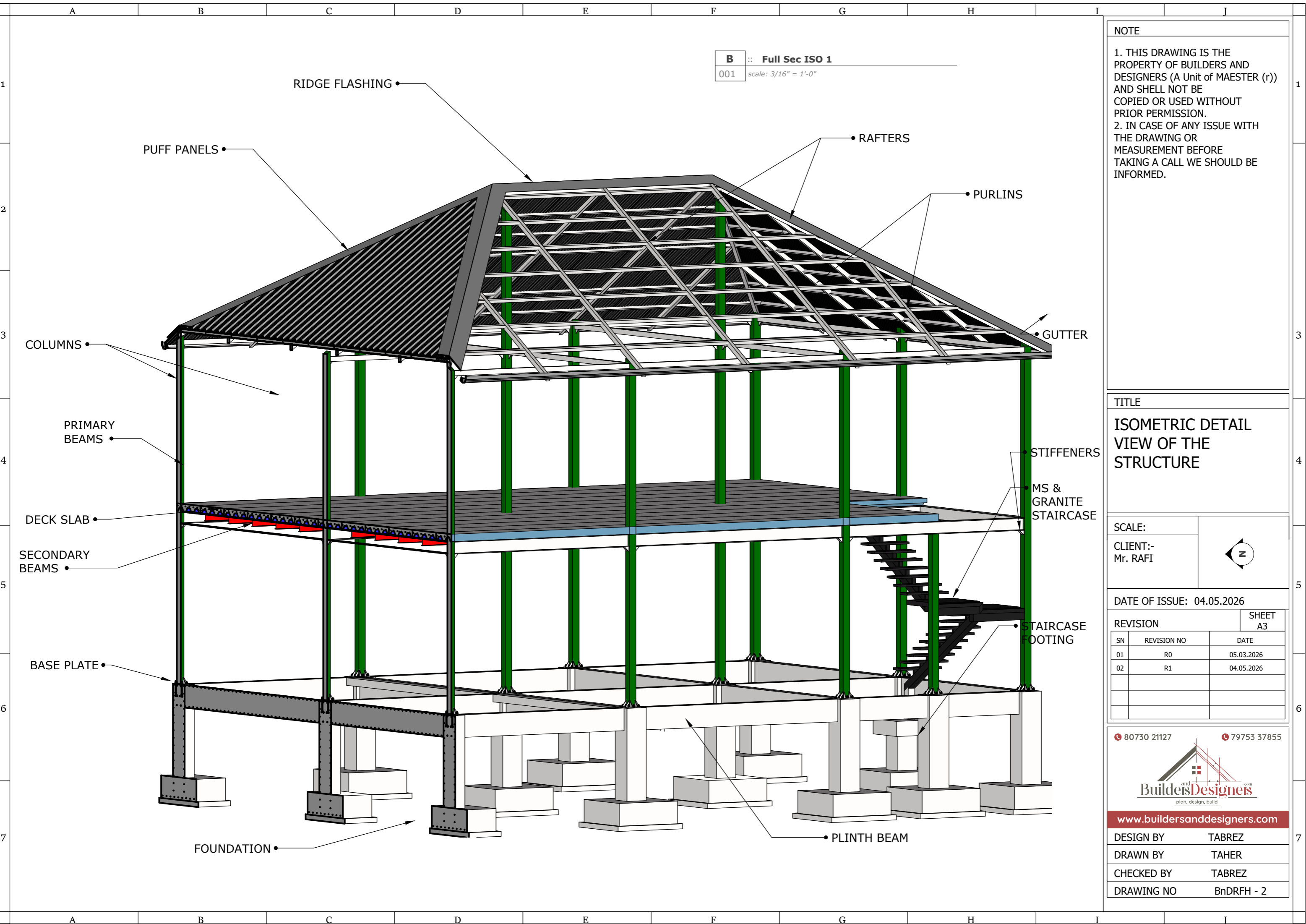
REVISION		SHEET A3
SN	REVISION NO	DATE
01	R0	05.03.2026
02	R1	04.05.2026

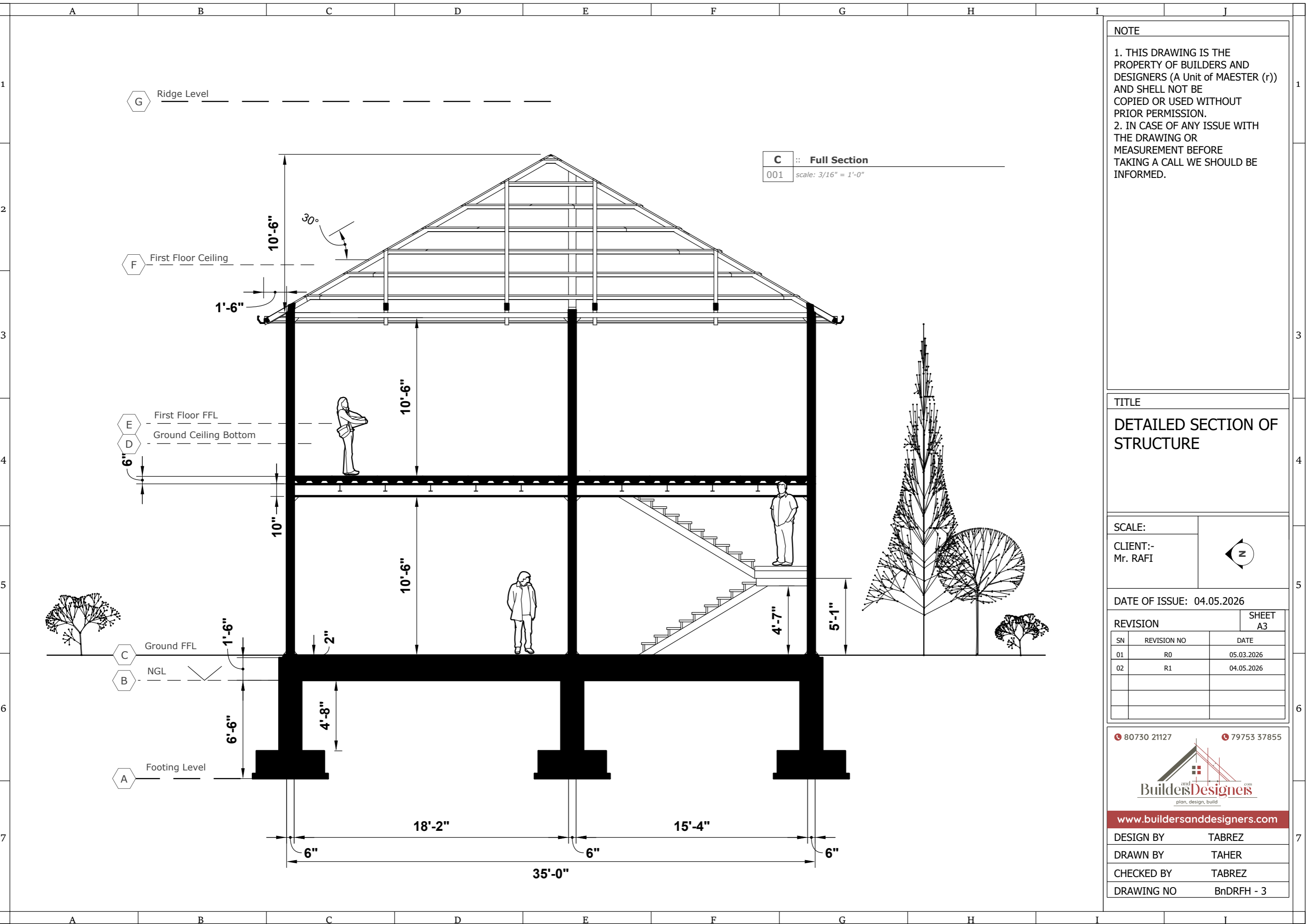
80730 21127 79753 37855



www.buildersanddesigners.com

DESIGN BY	TABREZ
DRAWN BY	TAHER
CHECKED BY	TABREZ
DRAWING NO	BnDRFH - 2





C :: Full Section
 001 scale: 3/16" = 1'-0"

NOTE

1. THIS DRAWING IS THE PROPERTY OF BUILDERS AND DESIGNERS (A Unit of MAESTER (r)) AND SHALL NOT BE COPIED OR USED WITHOUT PRIOR PERMISSION.
2. IN CASE OF ANY ISSUE WITH THE DRAWING OR MEASUREMENT BEFORE TAKING A CALL WE SHOULD BE INFORMED.

TITLE
 DETAILED SECTION OF STRUCTURE

SCALE:
 CLIENT:- Mr. RAFI

DATE OF ISSUE: 04.05.2026

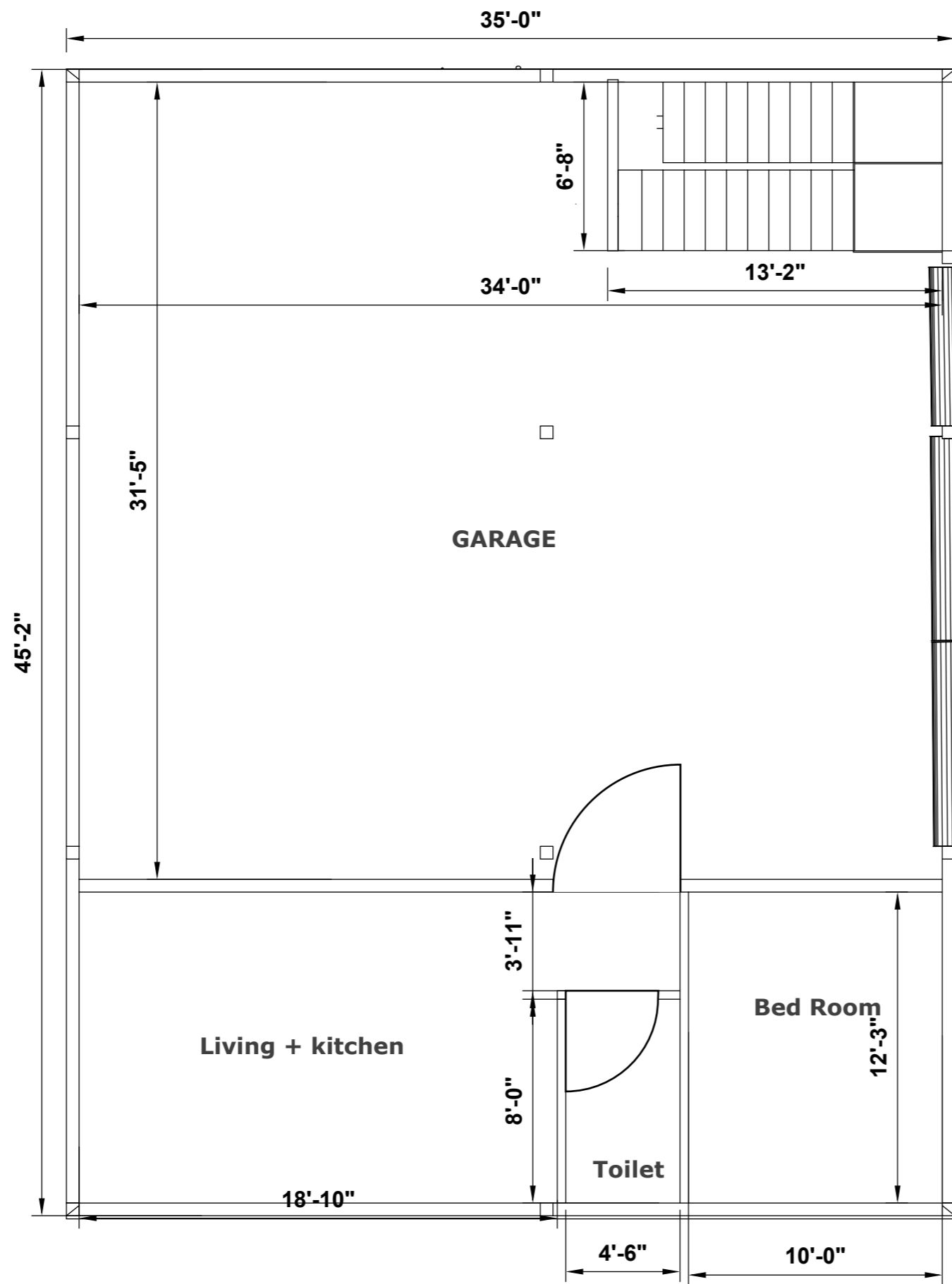
REVISION		SHEET A3
SN	REVISION NO	DATE
01	R0	05.03.2026
02	R1	04.05.2026

80730 21127 79753 37855



www.buildersanddesigners.com

DESIGN BY TABREZ
 DRAWN BY TAHER
 CHECKED BY TABREZ
 DRAWING NO BnDRFH - 3



D :: Plan G Floor
 001 scale: 3/16" = 1'-0"

NOTE

1. THIS DRAWING IS THE PROPERTY OF BUILDERS AND DESIGNERS (A Unit of MAESTER (r)) AND SHALL NOT BE COPIED OR USED WITHOUT PRIOR PERMISSION.
2. IN CASE OF ANY ISSUE WITH THE DRAWING OR MEASUREMENT BEFORE TAKING A CALL WE SHOULD BE INFORMED.

TITLE
 Ground Floor Plan

SCALE:
 CLIENT:- Mr. RAFI

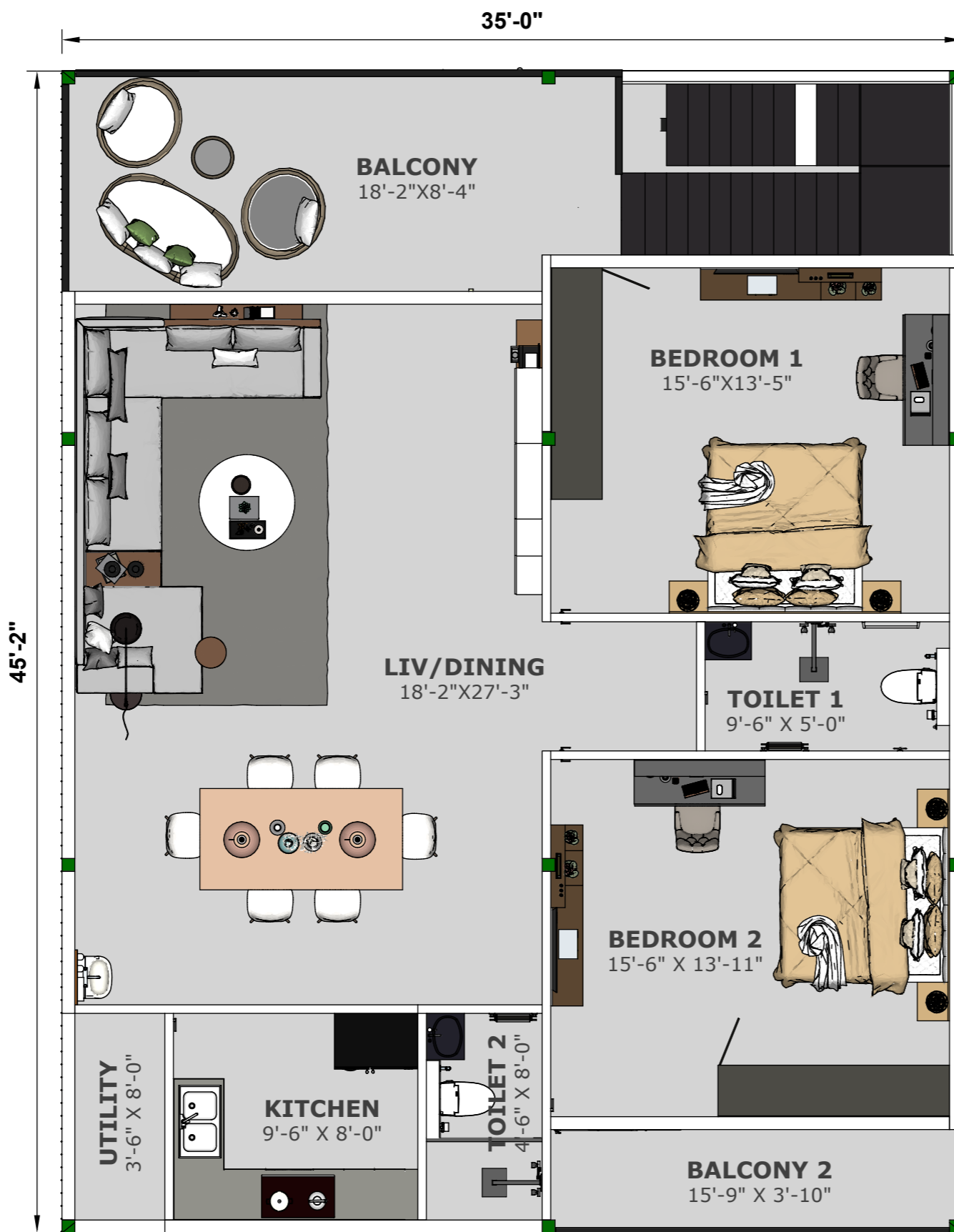
DATE OF ISSUE: 04.05.2026

REVISION		SHEET A3
SN	REVISION NO	DATE
01	R0	05.03.2026
02	R1	04.05.2026



www.buildersanddesigners.com

DESIGN BY TABREZ
DRAWN BY TAHER
CHECKED BY TABREZ
DRAWING NO BnDRFH - 4



A :: Plan 1 Floor
 001 scale: 3/16" = 1'-0"

NOTE

1. THIS DRAWING IS THE PROPERTY OF BUILDERS AND DESIGNERS (A Unit of MAESTER (r)) AND SHALL NOT BE COPIED OR USED WITHOUT PRIOR PERMISSION.
2. IN CASE OF ANY ISSUE WITH THE DRAWING OR MEASUREMENT BEFORE TAKING A CALL WE SHOULD BE INFORMED.

TITLE
FIRST FLOOR PLAN

SCALE:
 CLIENT:- Mr. RAFI

DATE OF ISSUE: 04.05.2026

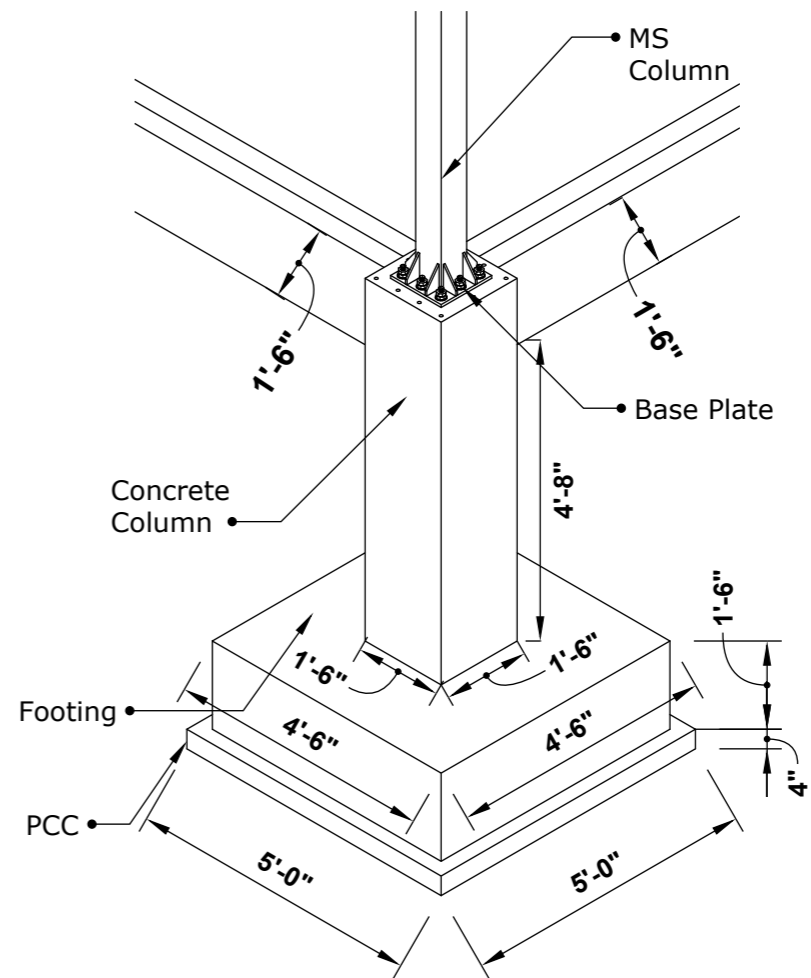
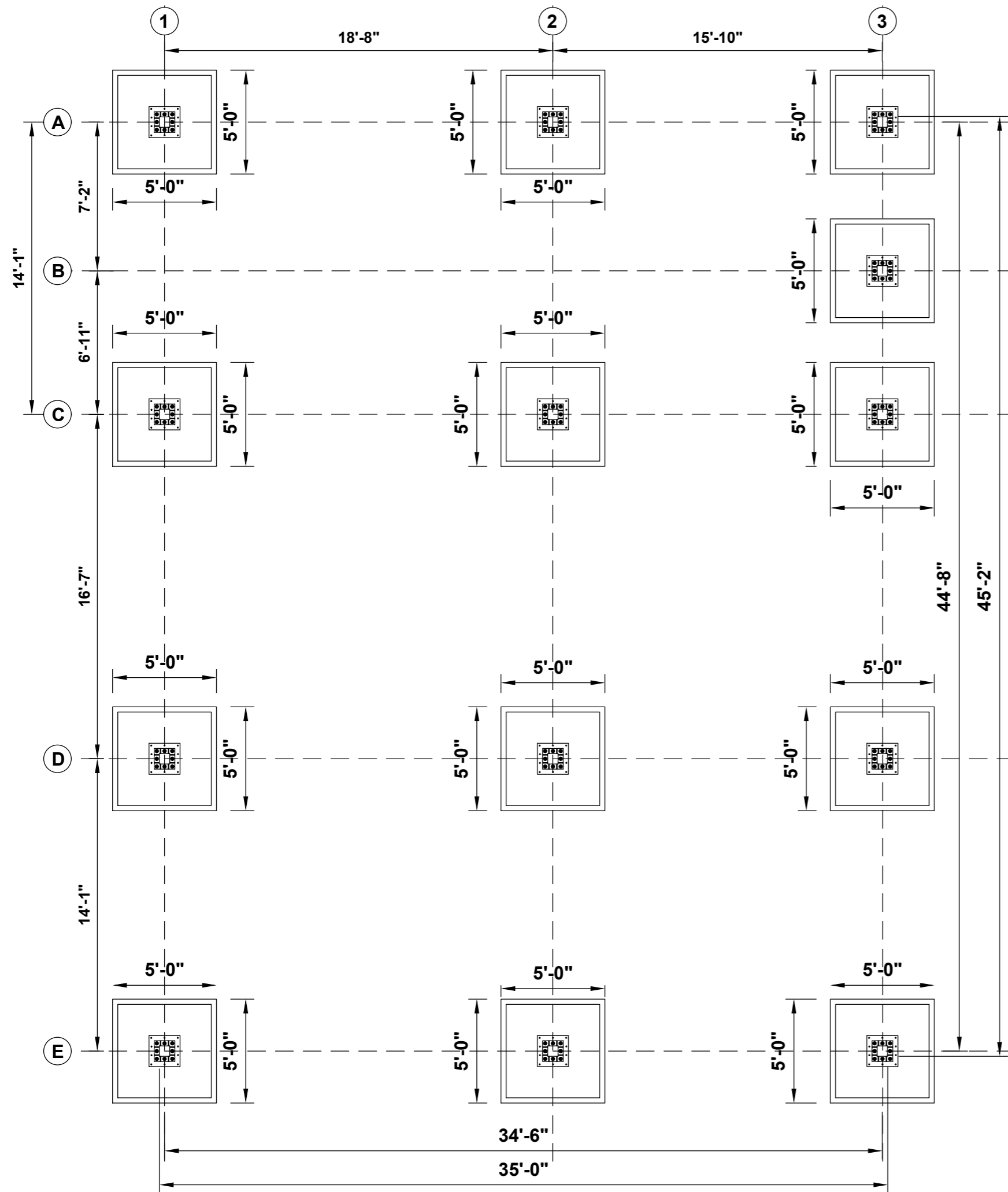
REVISION		SHEET A3
SN	REVISION NO	DATE
01	R0	05.03.2026
02	R1	04.05.2026

80730 21127 79753 37855



www.buildersanddesigners.com

DESIGN BY TABREZ
 DRAWN BY TAHER
 CHECKED BY TABREZ
 DRAWING NO BnDRFH - 5



A :: Foundation ISO
001 scale: <Scale>

C :: Footing Layout
001 scale: <Scale>

NOTE
 1. THIS DRAWING IS THE PROPERTY OF BUILDERS AND DESIGNERS (A Unit of MAESTER (r)) AND SHALL NOT BE COPIED OR USED WITHOUT PRIOR PERMISSION.
 2. IN CASE OF ANY ISSUE WITH THE DRAWING OR MEASUREMENT BEFORE TAKING A CALL WE SHOULD BE INFORMED.

TITLE
EXCAVATION DETAIL DRAWING

SCALE:
 CLIENT:- Mr. RAFI



DATE OF ISSUE: 04.05.2026

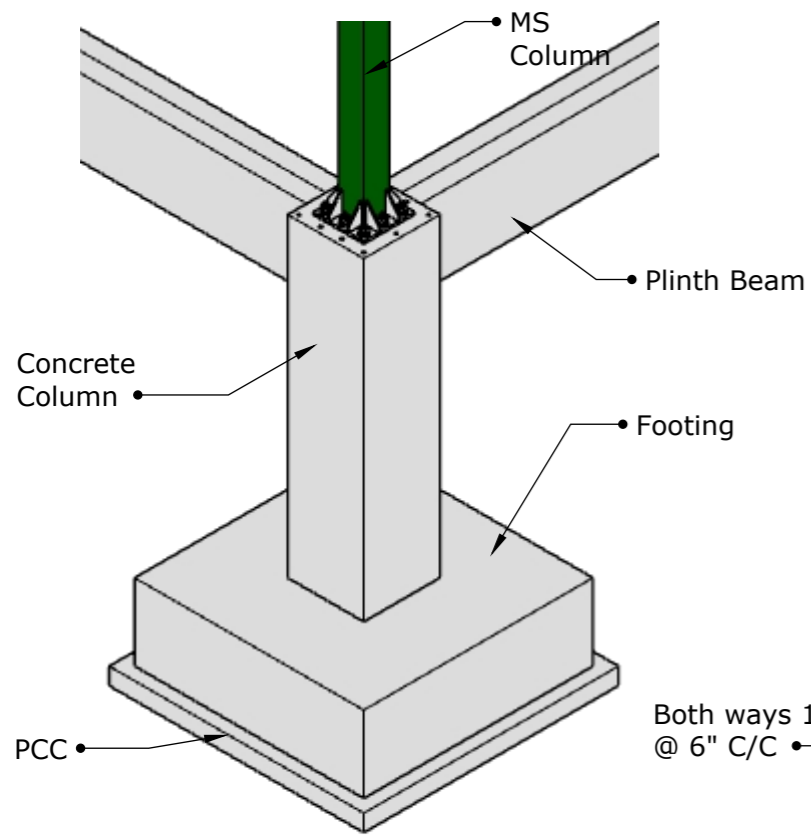
REVISION		SHEET
SN	REVISION NO	DATE
01	R0	05.03.2026
02	R1	04.05.2026

A3

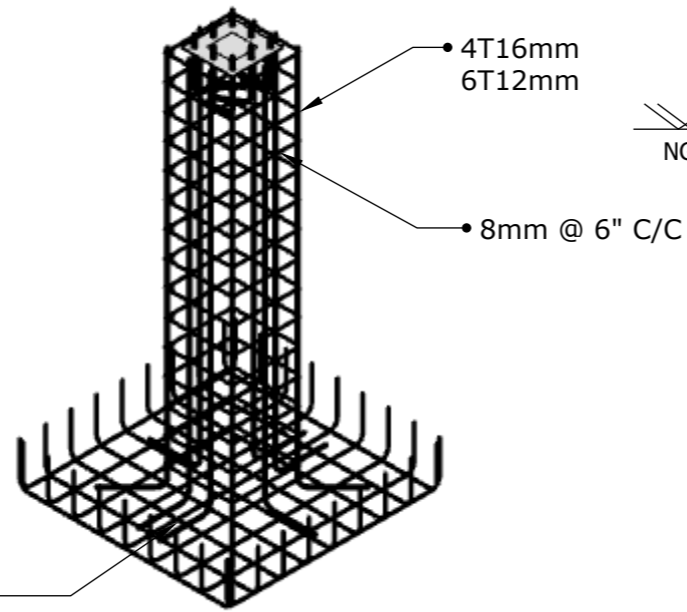
80730 21127 79753 37855

www.buildersanddesigners.com

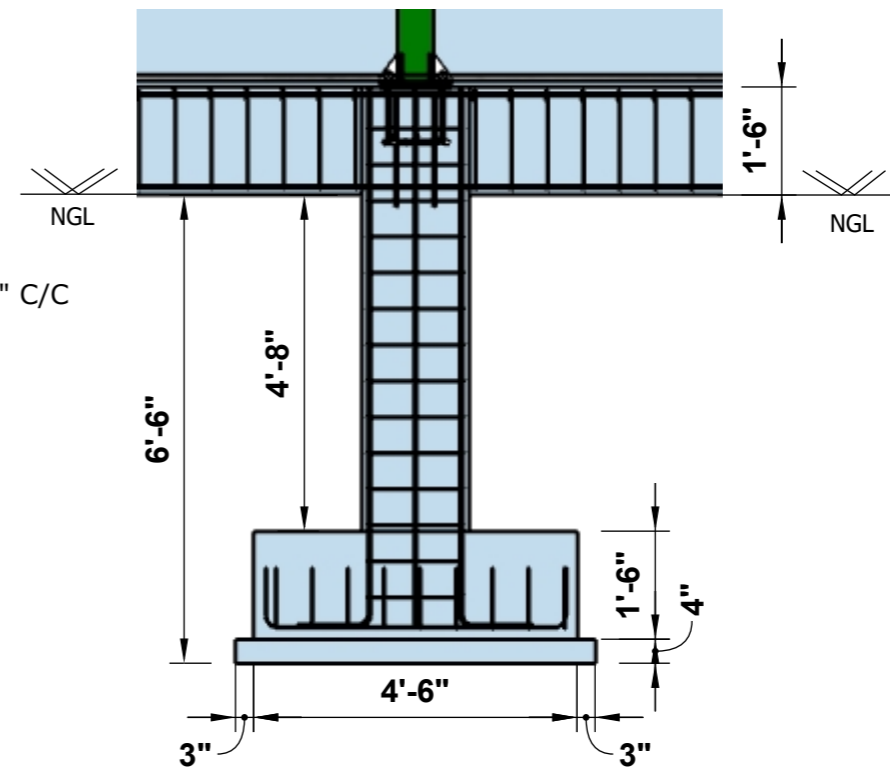
DESIGN BY	TABREZ
DRAWN BY	TAHER
CHECKED BY	TABREZ
DRAWING NO	BnDRFH - 6



1 FOUNDATION ISOMETRIC VIEW

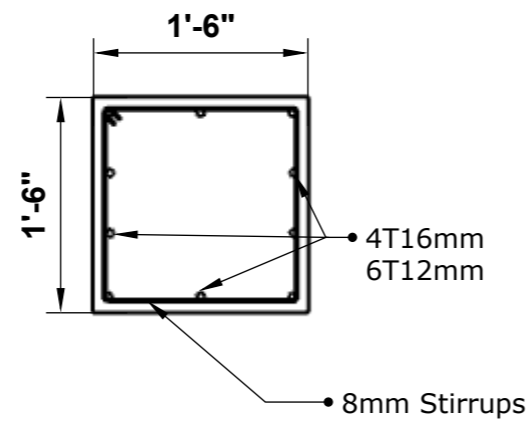


2 FOUNDATION REINFORCEMENT ISOMETRIC VIEW

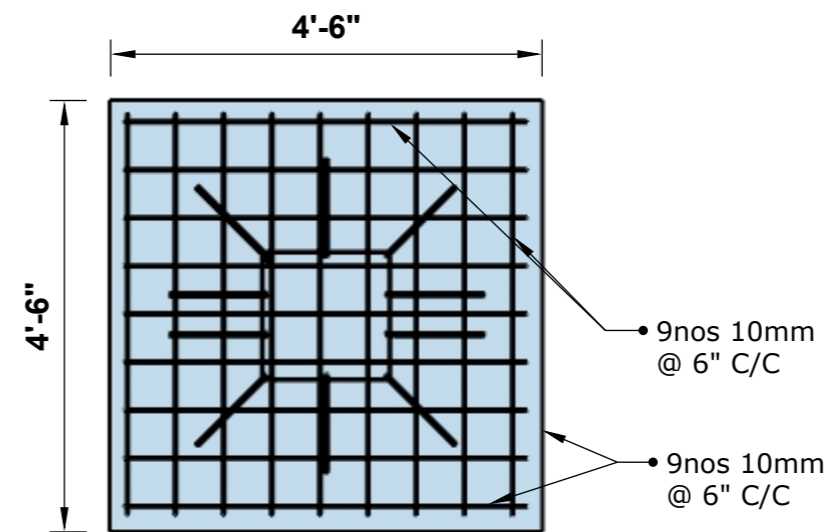


3 FOUNDATION SECTION

SN	Footing Size	Reinforcement
1	5'x5'	10mm@6" C/C both ways



4 COLUMN REINFORCEMENT



5 FOOTING REINFORCEMENT

NOTE
1. THIS DRAWING IS THE PROPERTY OF BUILDERS AND DESIGNERS (A Unit of MAESTER (r)) AND SHALL NOT BE COPIED OR USED WITHOUT PRIOR PERMISSION.
2. IN CASE OF ANY ISSUE WITH THE DRAWING OR MEASUREMENT BEFORE TAKING A CALL WE SHOULD BE INFORMED.

TITLE
FOOTING DETAIL

SCALE:
CLIENT:-
Mr. RAFI



DATE OF ISSUE: 04.05.2026

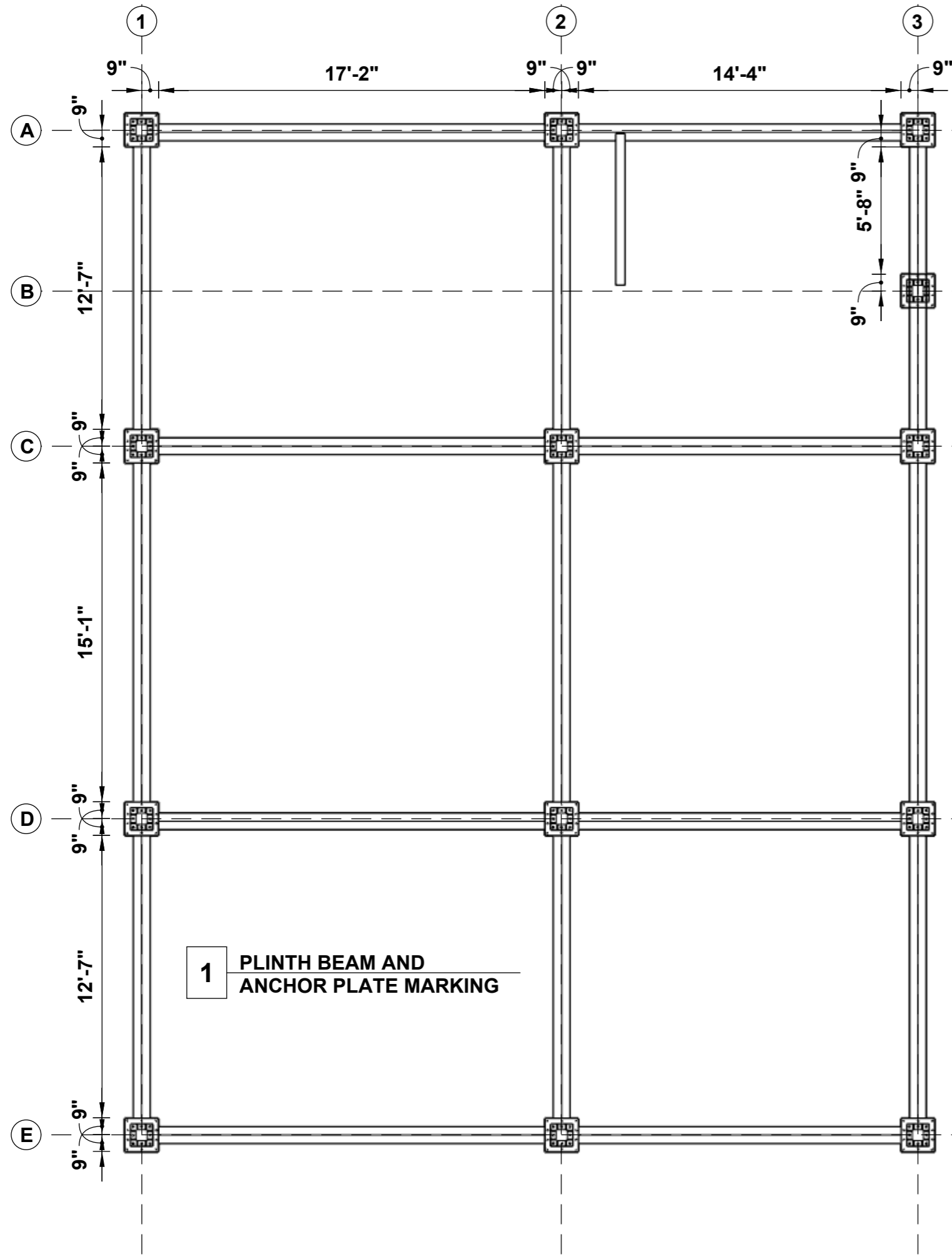
REVISION			SHEET A3
SN	REVISION NO	DATE	
01	R0	05.03.2026	
02	R1	04.05.2026	

80730 21127 79753 37855

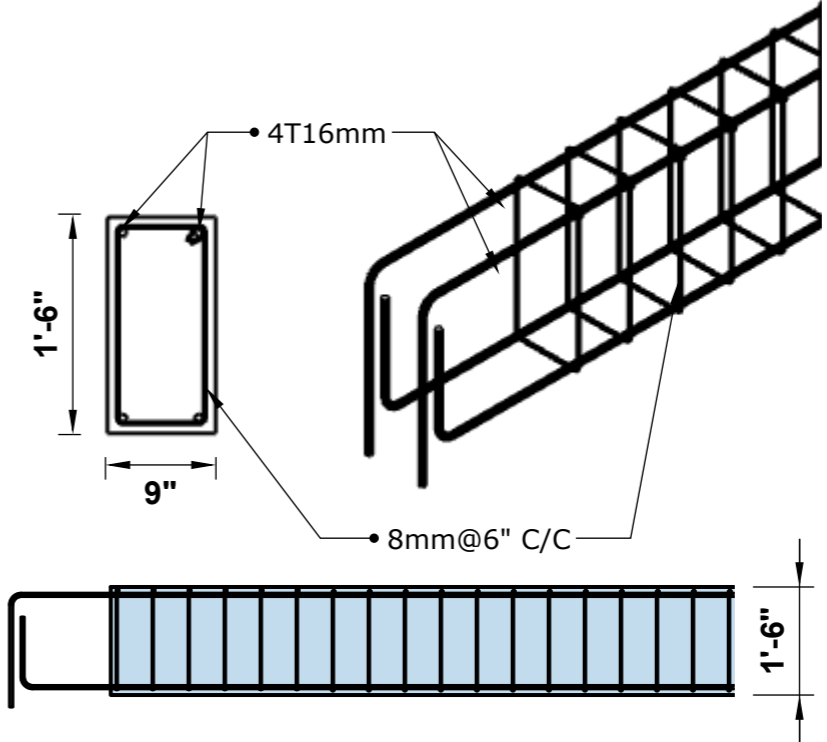


www.buildersanddesigners.com

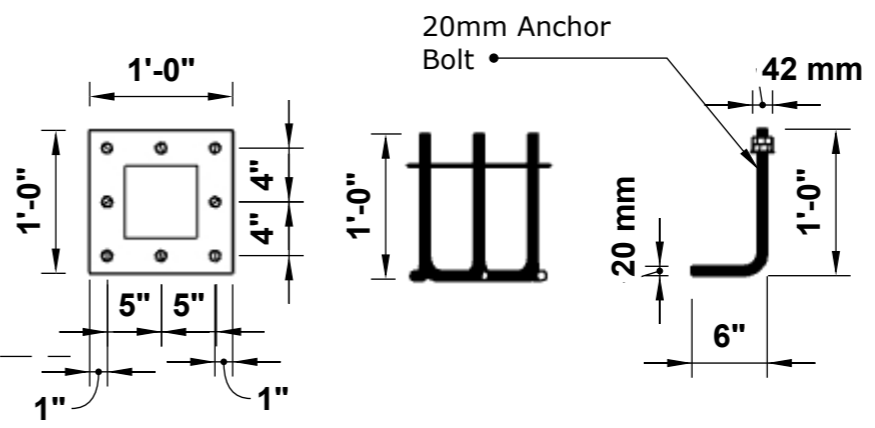
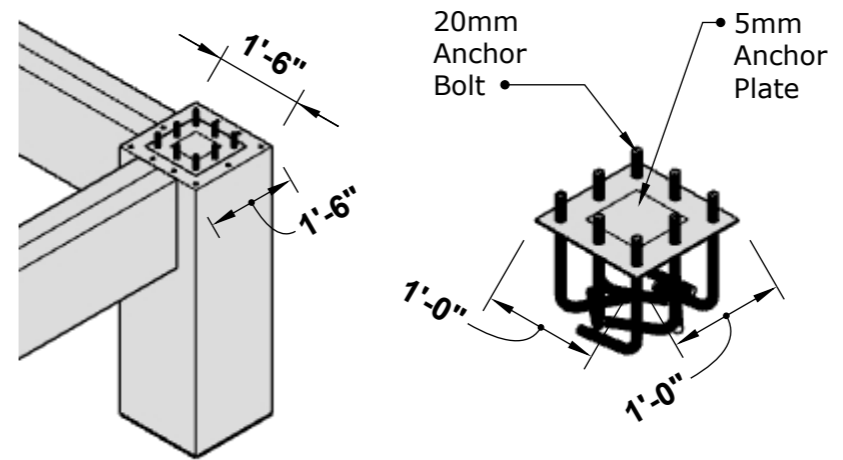
DESIGN BY	TABREZ
DRAWN BY	TAHER
CHECKED BY	TABREZ
DRAWING NO	BnDRFH - 7



1 PLINTH BEAM AND ANCHOR PLATE MARKING



2 PLINTH BEAM REINFORCEMENT



3 ANCHOR PLATE DETAILING

NOTE

1. THIS DRAWING IS THE PROPERTY OF BUILDERS AND DESIGNERS (A Unit of MAESTER (r)) AND SHALL NOT BE COPIED OR USED WITHOUT PRIOR PERMISSION.
2. IN CASE OF ANY ISSUE WITH THE DRAWING OR MEASUREMENT BEFORE TAKING A CALL WE SHOULD BE INFORMED.

TITLE
PLINTH BEAM, ANCHOR PLATE AND ANCHOR BOLTS DETAIL

SCALE:
 CLIENT:- Mr. RAFI



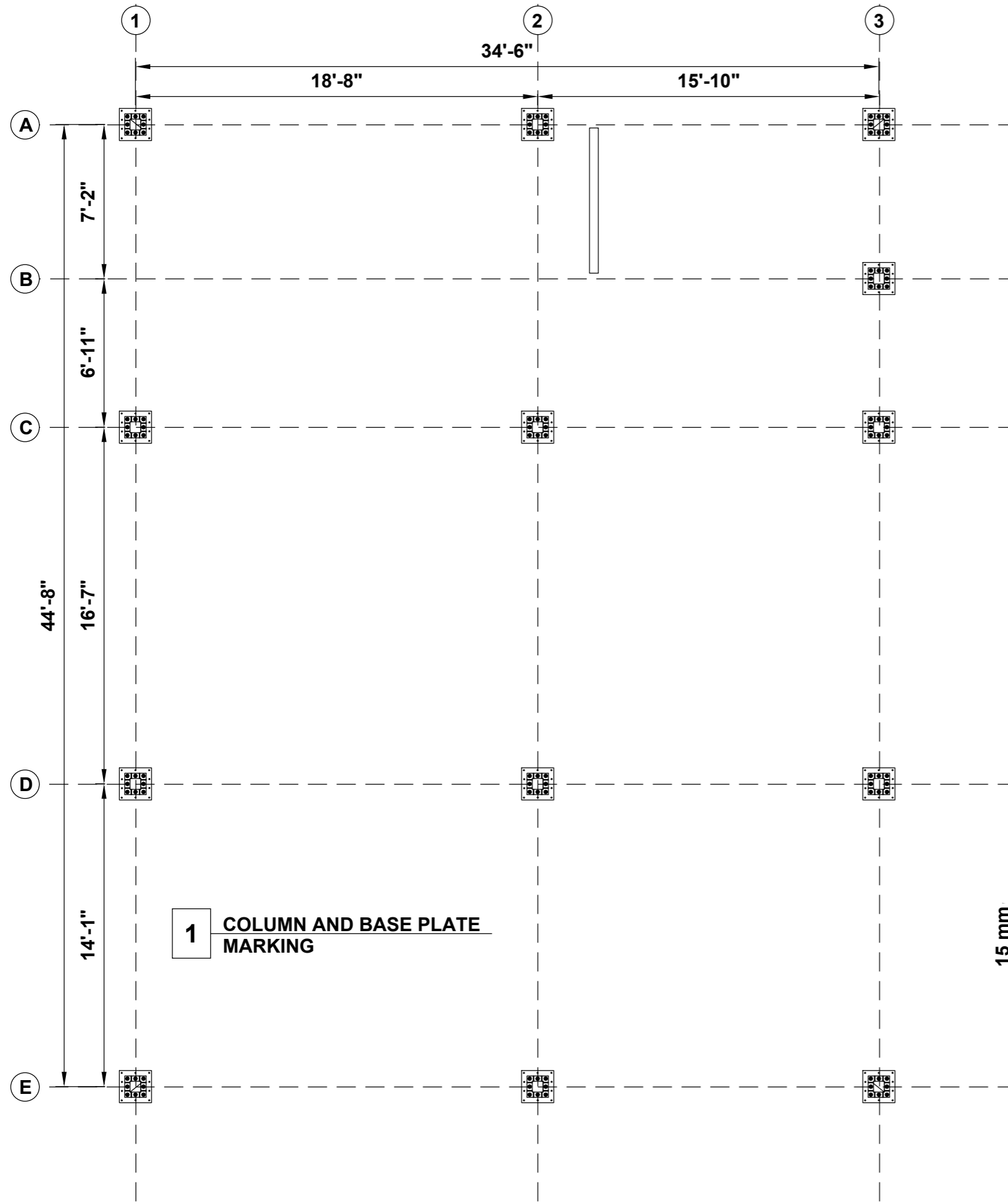
DATE OF ISSUE: 04.05.2026

REVISION		SHEET A3
SN	REVISION NO	DATE
01	R0	05.03.2026
02	R1	04.05.2026

80730 21127 79753 37855

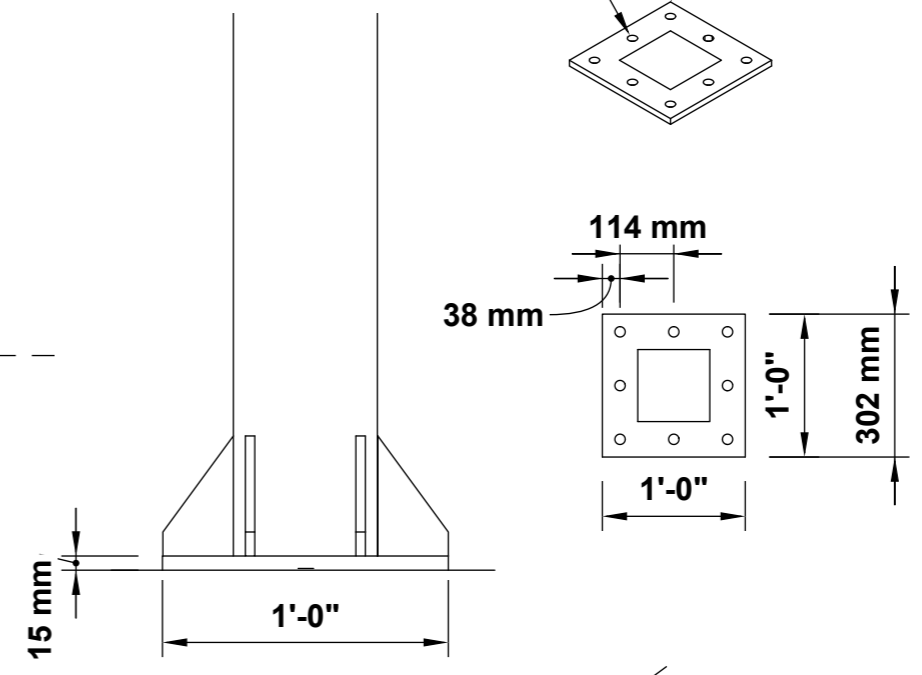
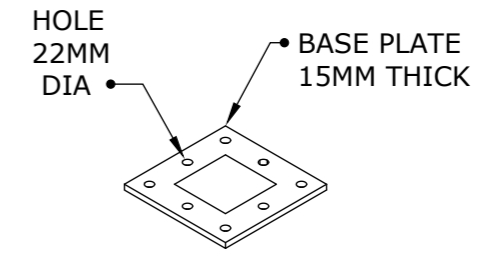
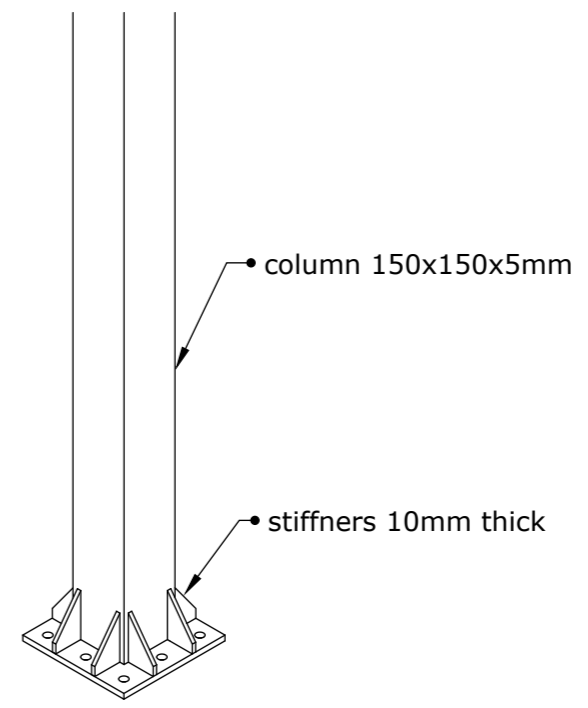
www.buildersanddesigners.com

DESIGN BY TABREZ
DRAWN BY TAHER
CHECKED BY TABREZ
DRAWING NO BnDRFH - 8

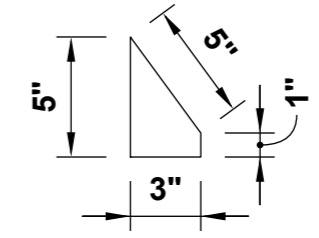


1 COLUMN AND BASE PLATE MARKING

2 COLUMN DETAILING



3 BASE PLATE DETAILING



NOTE
 1. THIS DRAWING IS THE PROPERTY OF BUILDERS AND DESIGNERS (A Unit of MAESTER (r)) AND SHALL NOT BE COPIED OR USED WITHOUT PRIOR PERMISSION.
 2. IN CASE OF ANY ISSUE WITH THE DRAWING OR MEASUREMENT BEFORE TAKING A CALL WE SHOULD BE INFORMED.

TITLE
COLUMN AND BASE PLATE DETIAL

SCALE:
 CLIENT:- Mr. RAFI



DATE OF ISSUE: 04.05.2026

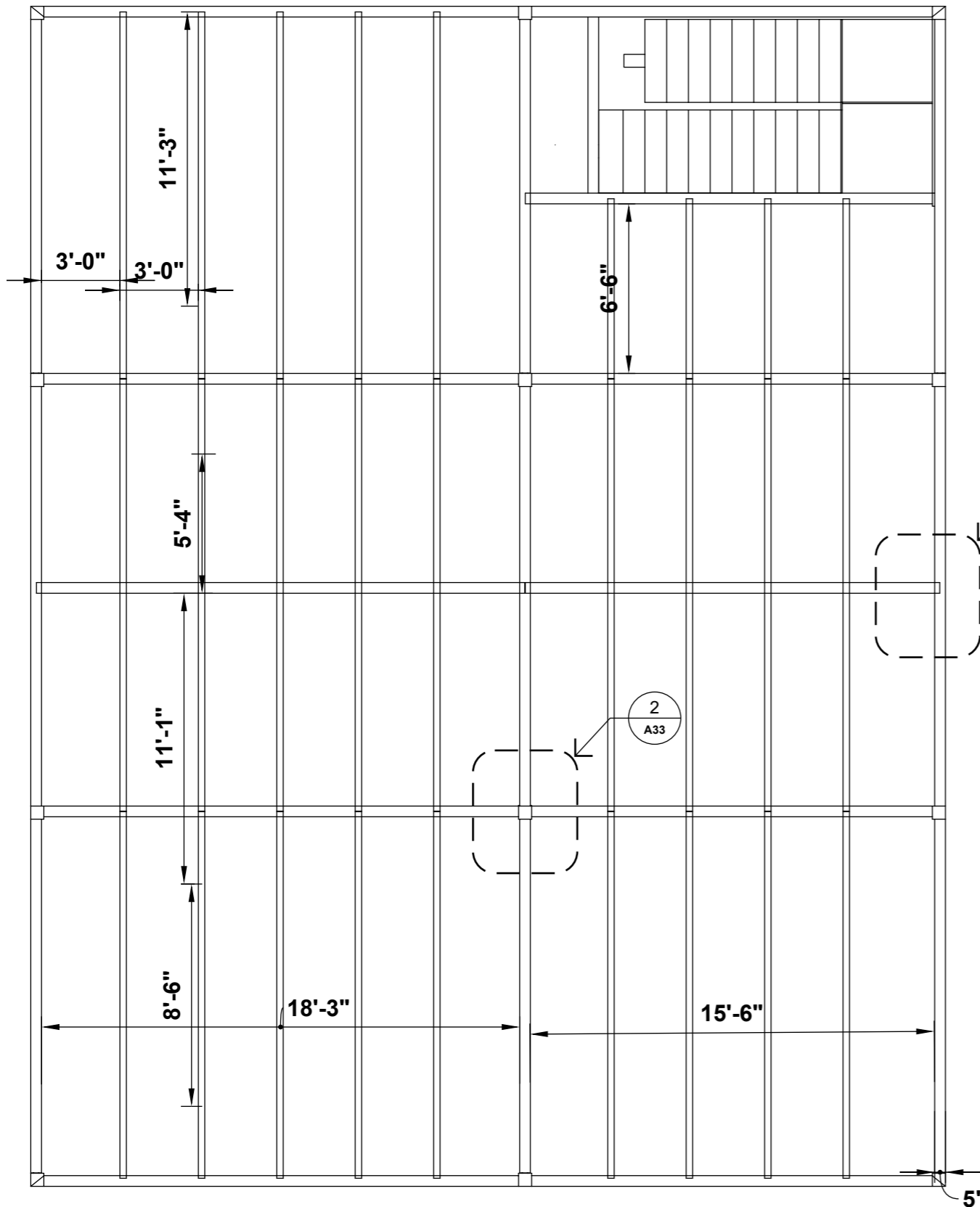
REVISION		SHEET A3
SN	REVISION NO	DATE
01	R0	05.03.2026
02	R1	04.05.2026

80730 21127 79753 37855

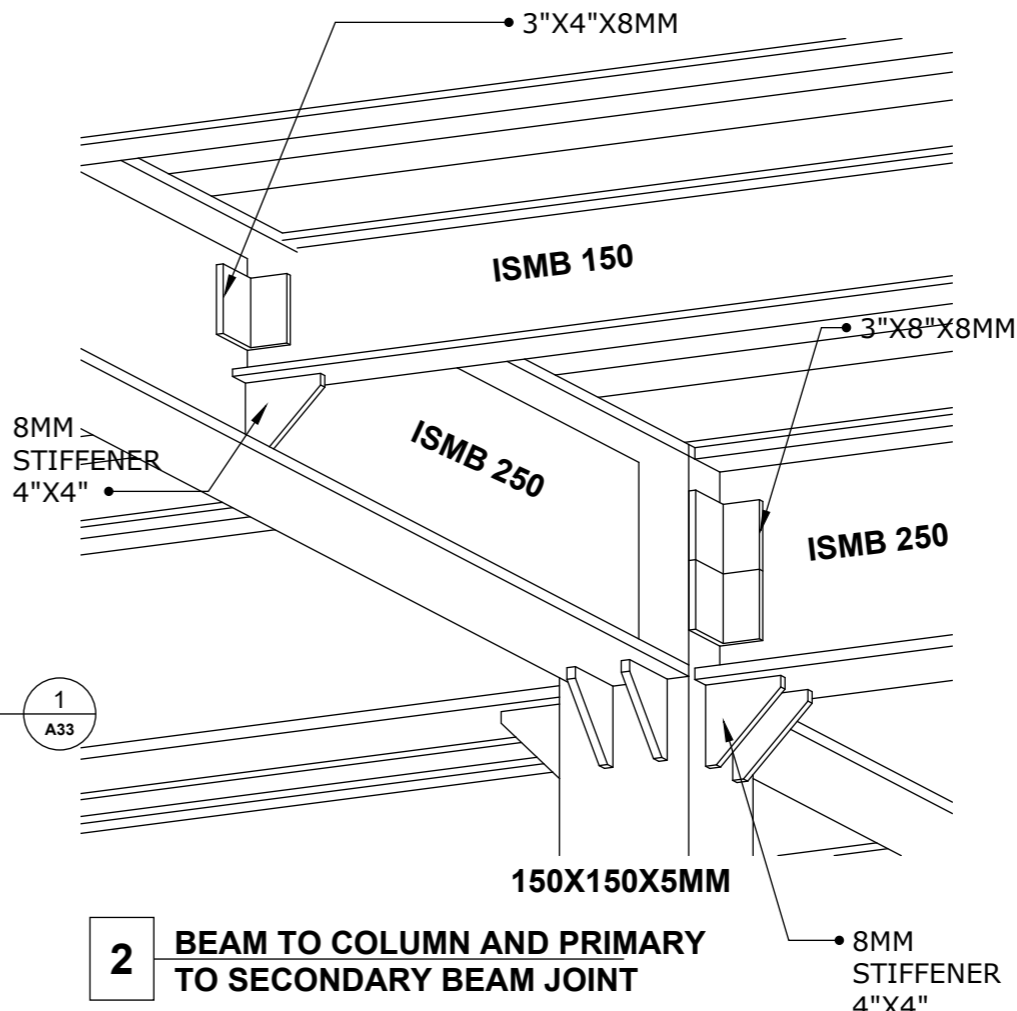


www.buildersanddesigners.com

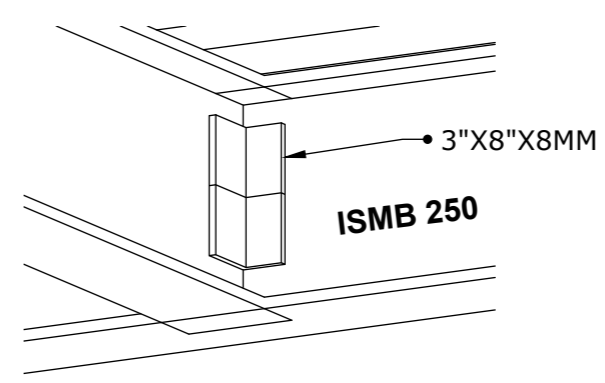
DESIGN BY	TABREZ
DRAWN BY	TAHER
CHECKED BY	TABREZ
DRAWING NO	BnDRFH - 9



0 First Floor Beam Layout



2 BEAM TO COLUMN AND PRIMARY TO SECONDARY BEAM JOINT



1 ISMB 250 TO ISMB 250 JOINT

NOTE

1. THIS DRAWING IS THE PROPERTY OF BUILDERS AND DESIGNERS (A Unit of MAESTER (r)) AND SHALL NOT BE COPIED OR USED WITHOUT PRIOR PERMISSION.
2. IN CASE OF ANY ISSUE WITH THE DRAWING OR MEASUREMENT BEFORE TAKING A CALL WE SHOULD BE INFORMED.

TITLE
FIRST FLOOR BEAM LAYOUT AND JOINTS

SCALE:
CLIENT:- Mr. RAFI



DATE OF ISSUE: 04.05.2026

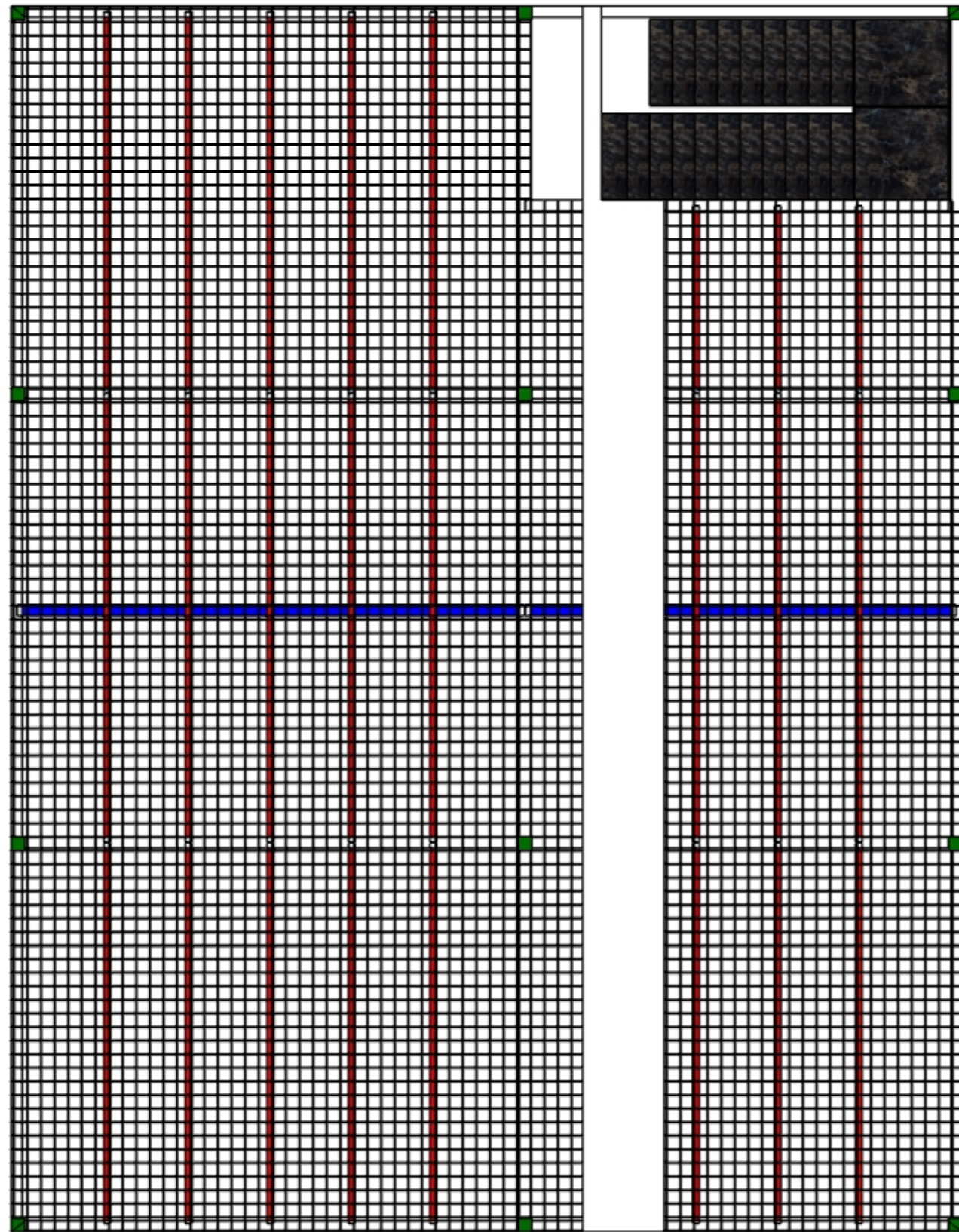
REVISION		SHEET A3
SN	REVISION NO	DATE
01	R0	05.03.2026
02	R1	04.05.2026

80730 21127 79753 37855

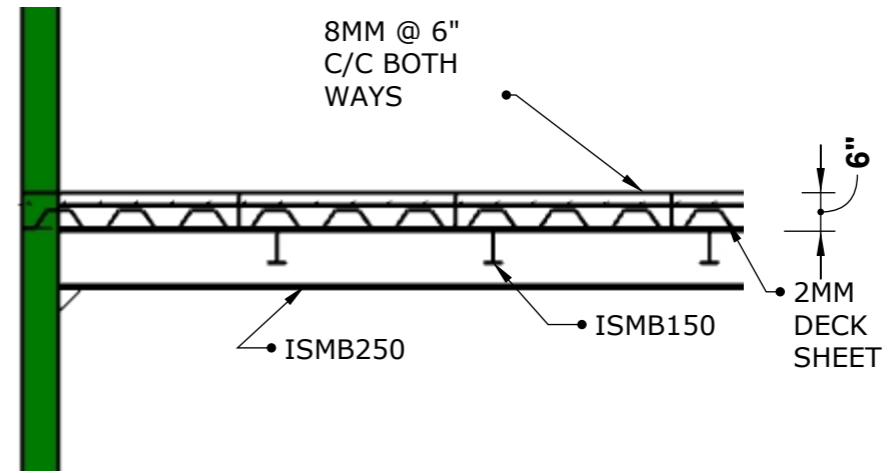


www.buildersanddesigners.com

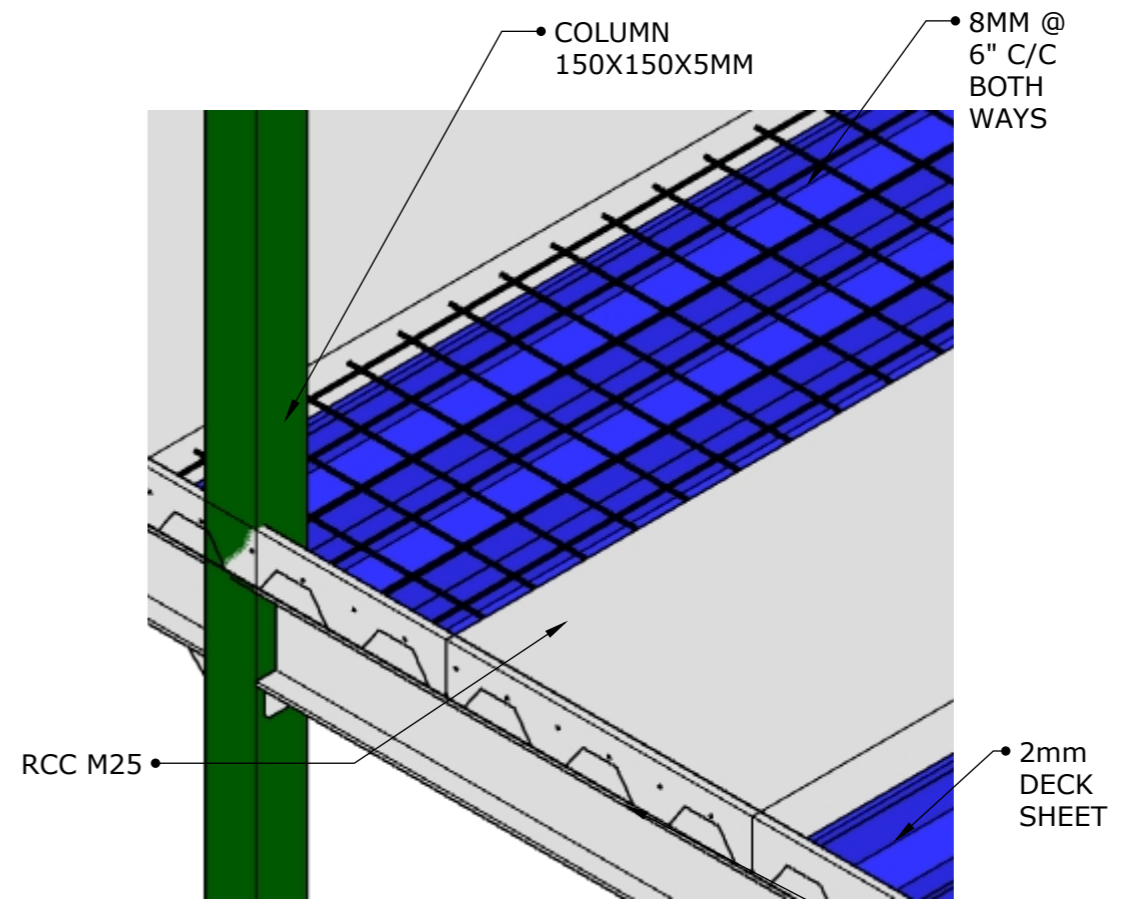
DESIGN BY TABREZ
DRAWN BY TAHER
CHECKED BY TABREZ
DRAWING NO BnDRFH - 10



1 Deck Slab Reinforcement



1 First Floor Beam Layout



1 First Floor Beam Layout

NOTE
 1. THIS DRAWING IS THE PROPERTY OF BUILDERS AND DESIGNERS (A Unit of MAESTER (r)) AND SHALL NOT BE COPIED OR USED WITHOUT PRIOR PERMISSION.
 2. IN CASE OF ANY ISSUE WITH THE DRAWING OR MEASUREMENT BEFORE TAKING A CALL WE SHOULD BE INFORMED.

TITLE
 DECK SLAB DETAIL AND REINFORCEMENT

SCALE:
 CLIENT:- Mr. RAFI



DATE OF ISSUE: 04.05.2026

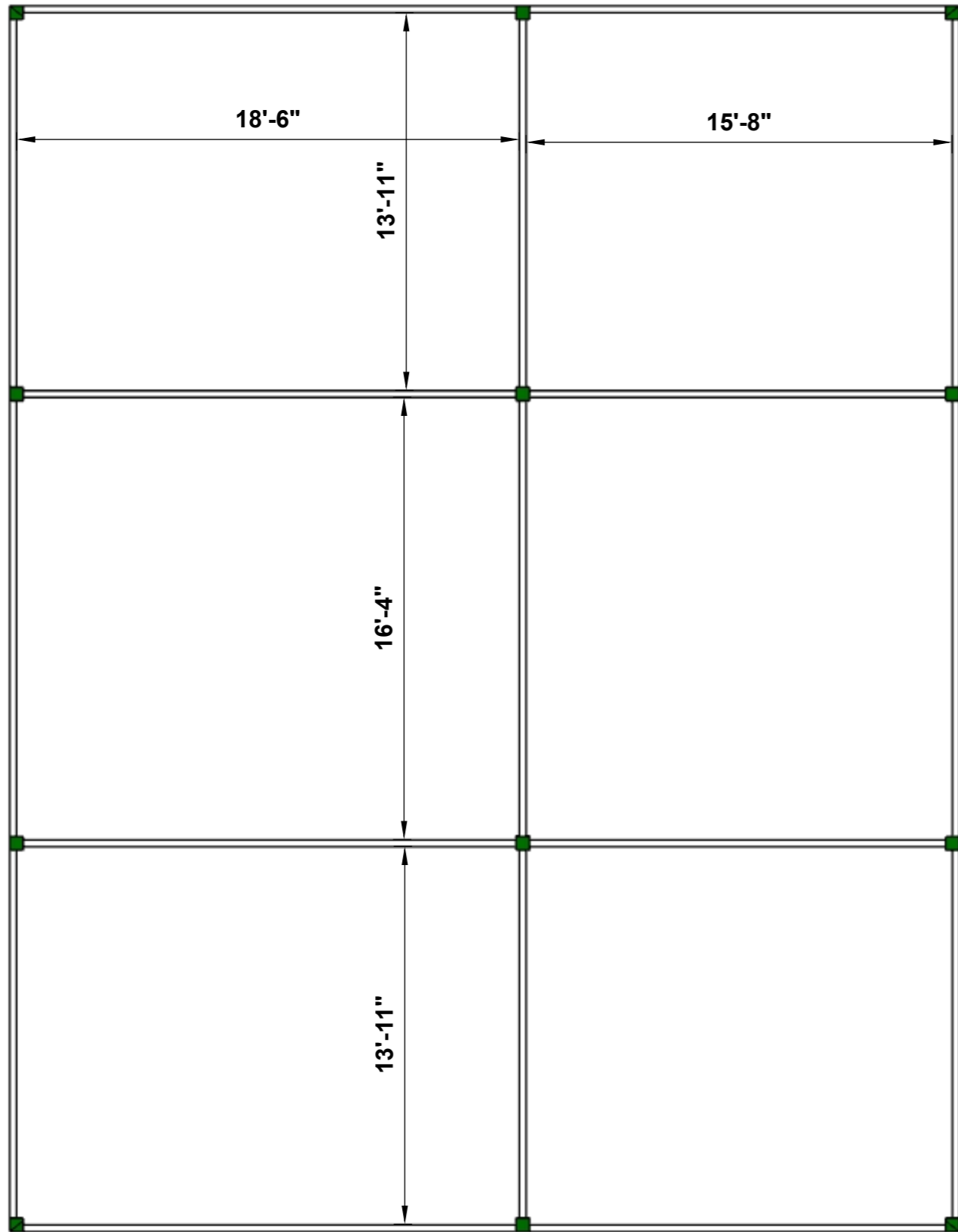
REVISION		SHEET A3
SN	REVISION NO	DATE
01	R0	05.03.2026
02	R1	04.05.2026

80730 21127 79753 37855

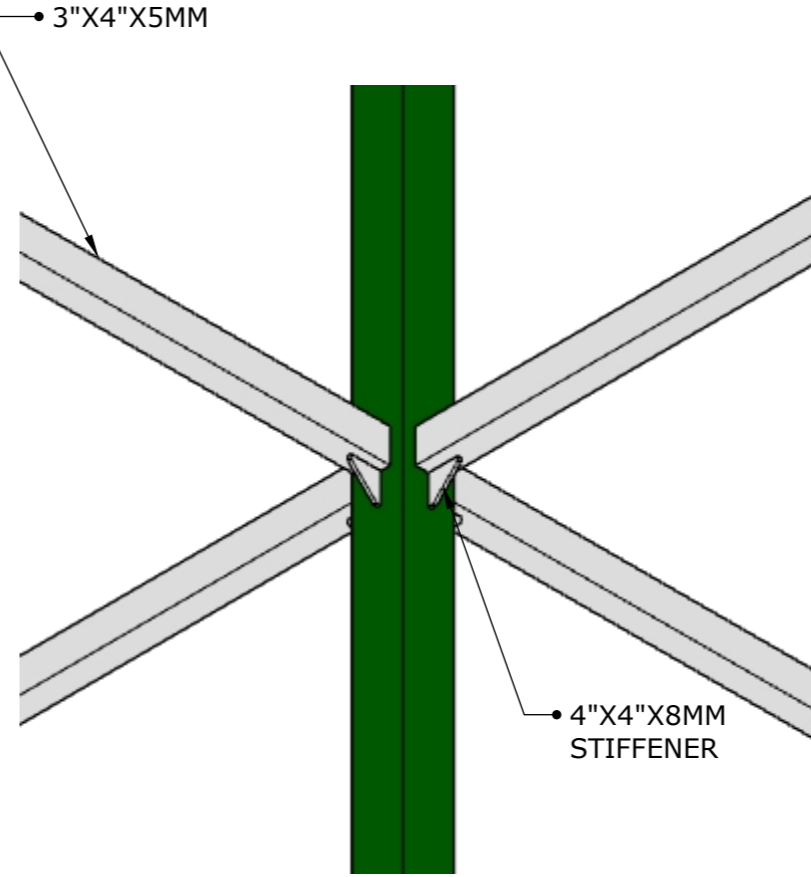


www.buildersanddesigners.com

DESIGN BY TABREZ
DRAWN BY TAHER
CHECKED BY TABREZ
DRAWING NO BnDRFH - 11



1 Roof Beam Detail



2 BEAM TO COLUMN JOINT

NOTE
 1. THIS DRAWING IS THE PROPERTY OF BUILDERS AND DESIGNERS (A Unit of MAESTER (r)) AND SHALL NOT BE COPIED OR USED WITHOUT PRIOR PERMISSION.
 2. IN CASE OF ANY ISSUE WITH THE DRAWING OR MEASUREMENT BEFORE TAKING A CALL WE SHOULD BE INFORMED.

TITLE
ROOF BEAM LAYOUT AND JOINTS

SCALE:
 CLIENT:- Mr. RAFI



DATE OF ISSUE: 04.05.2026

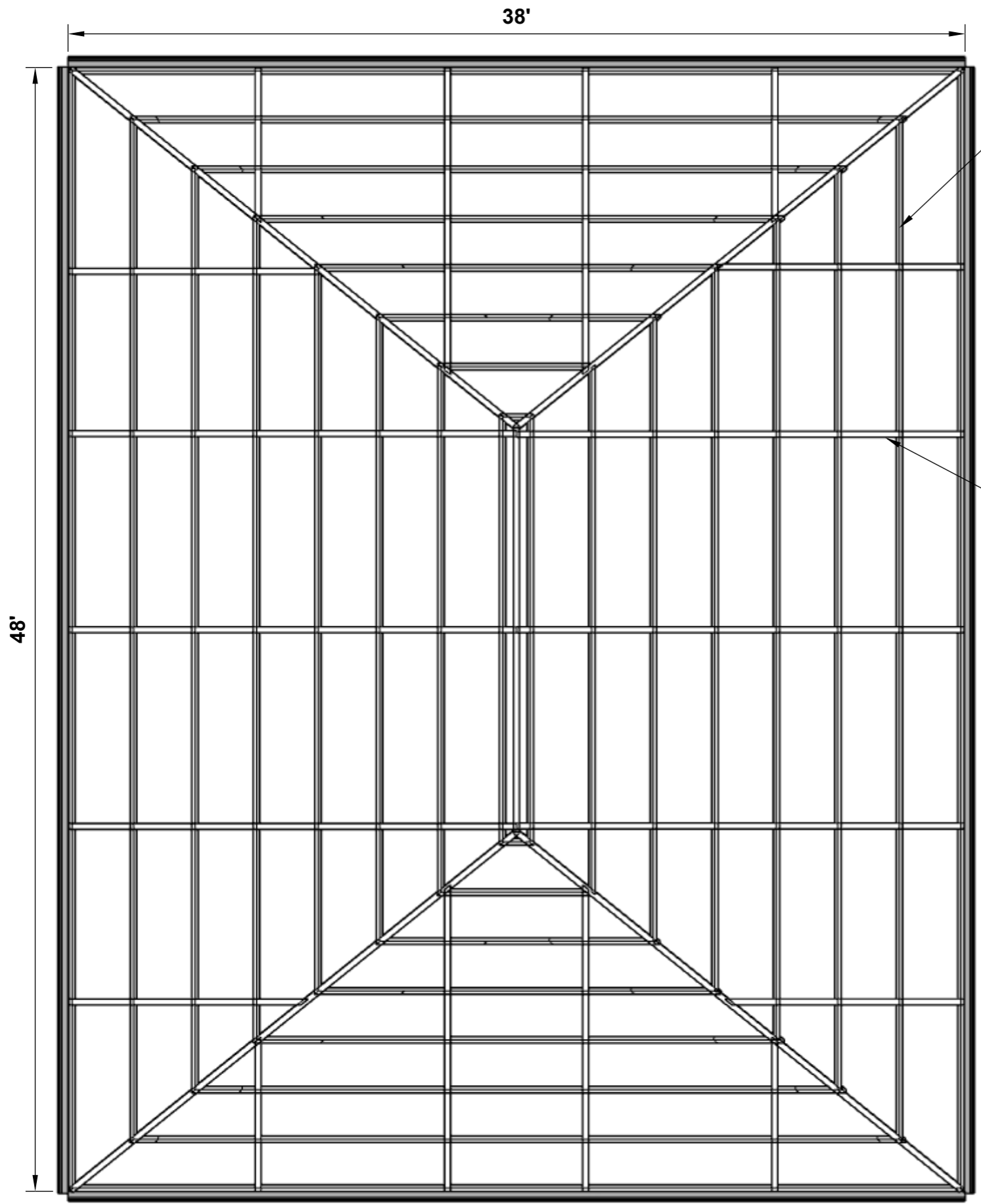
REVISION		SHEET A3
SN	REVISION NO	DATE
01	R0	05.03.2026
02	R1	04.05.2026

80730 21127 79753 37855

Builders and Designers
 plan, design, build

www.buildersanddesigners.com

DESIGN BY	TABREZ
DRAWN BY	TAHER
CHECKED BY	TABREZ
DRAWING NO	BnDRFH - 12



38'

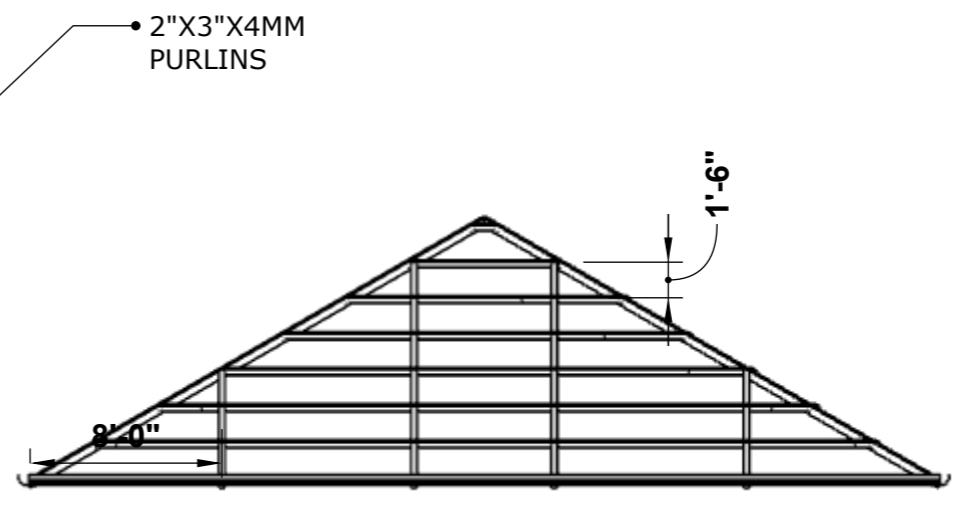
48'

SIDE A

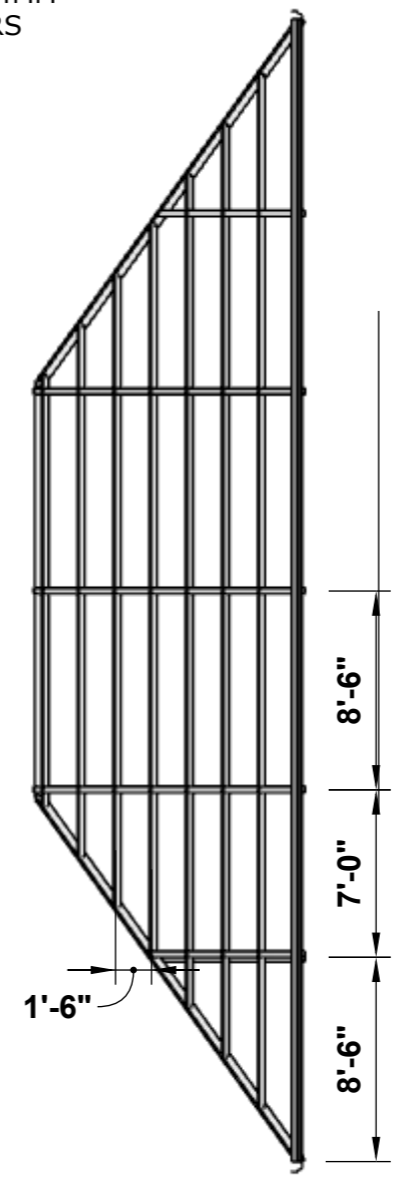
SIDE B

2"X3"X4MM PURLINS

3"X4"X4MM RAFTERS



A SIDE A ELEVATION



B SIDE B ELEVATION

NOTE

1. THIS DRAWING IS THE PROPERTY OF BUILDERS AND DESIGNERS (A Unit of MAESTER (r)) AND SHALL NOT BE COPIED OR USED WITHOUT PRIOR PERMISSION.
2. IN CASE OF ANY ISSUE WITH THE DRAWING OR MEASUREMENT BEFORE TAKING A CALL WE SHOULD BE INFORMED.

TITLE

ROOF RAFTERS AND PURLINS DETAILS

SCALE:

CLIENT:- Mr. RAFI

DATE OF ISSUE: 04.05.2026

REVISION		SHEET A3
SN	REVISION NO	DATE
01	R0	05.03.2026
02	R1	04.05.2026

80730 21127 79753 37855



www.buildersanddesigners.com

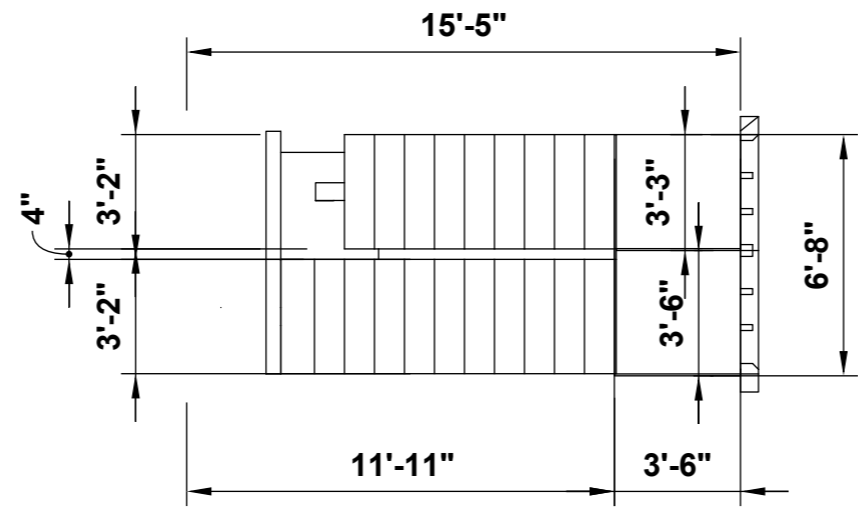
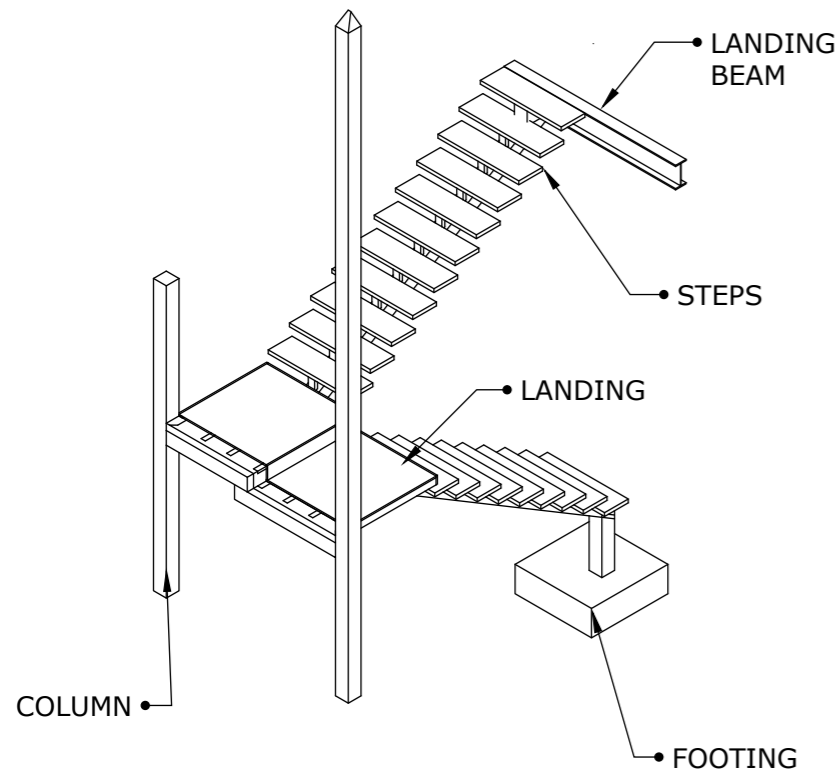
DESIGN BY TABREZ

DRAWN BY TAHER

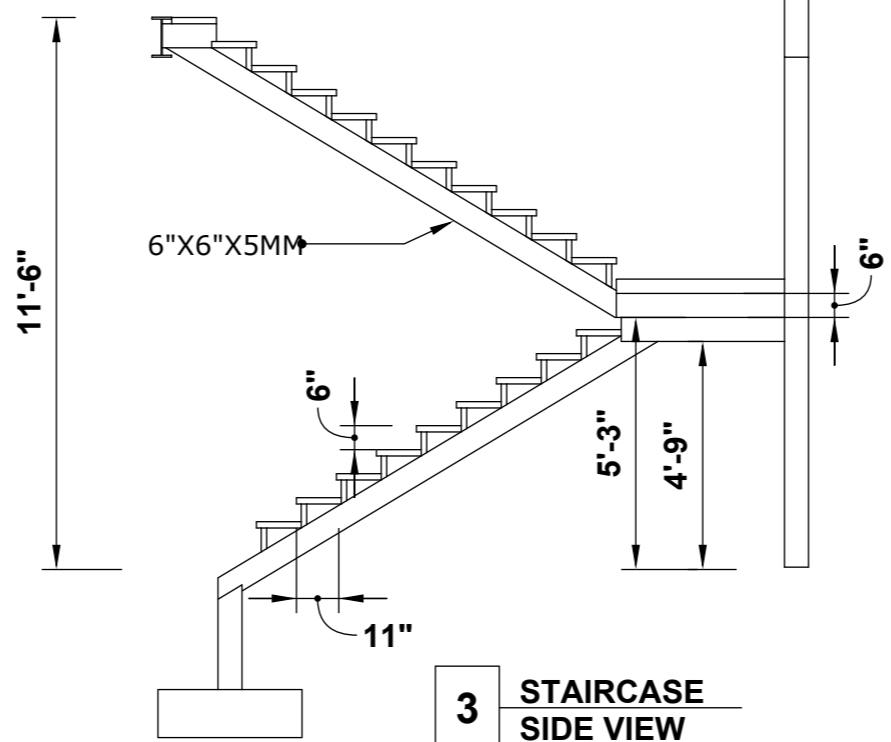
CHECKED BY TABREZ

DRAWING NO BnDRFH - 13

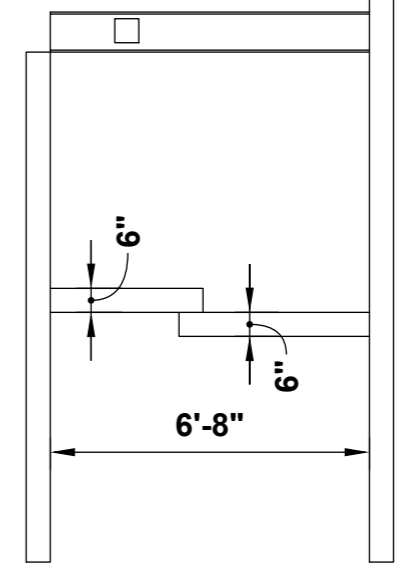
1 Roof Beam Detail



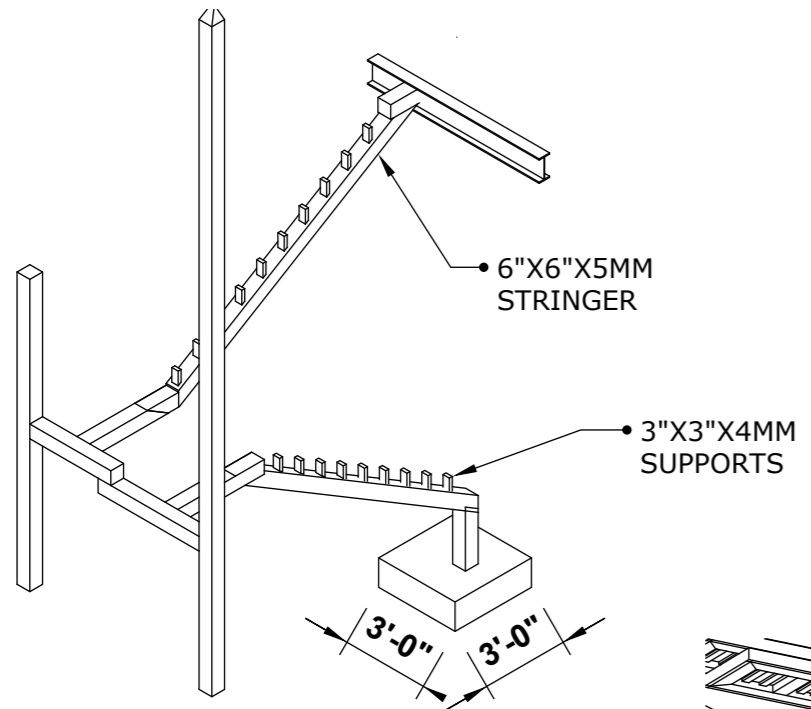
2 STAIRCASE TOP VIEW



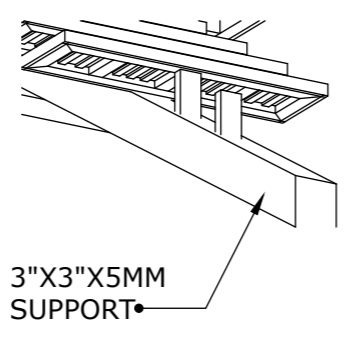
3 STAIRCASE SIDE VIEW



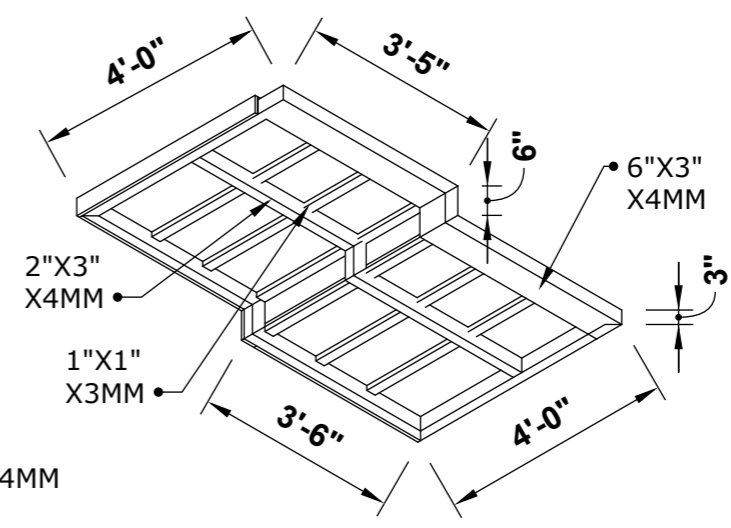
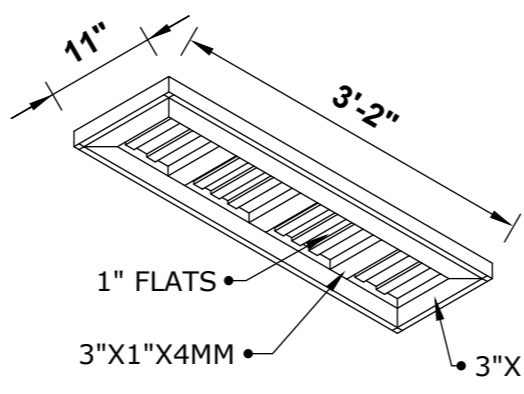
4 STAIRCASE BACK VIEW



1 STAIRCASE ISOMETRIC



5 STAIRCASE COMPONENTS



NOTE

1. THIS DRAWING IS THE PROPERTY OF BUILDERS AND DESIGNERS (A Unit of MAESTER (r)) AND SHALL NOT BE COPIED OR USED WITHOUT PRIOR PERMISSION.
2. IN CASE OF ANY ISSUE WITH THE DRAWING OR MEASUREMENT BEFORE TAKING A CALL WE SHOULD BE INFORMED.

TITLE
STAIRCASE DETAIL

SCALE:
CLIENT:- Mr. RAFI



DATE OF ISSUE: 04.05.2026

SN	REVISION NO	DATE
01	R0	05.03.2026
02	R1	04.05.2026

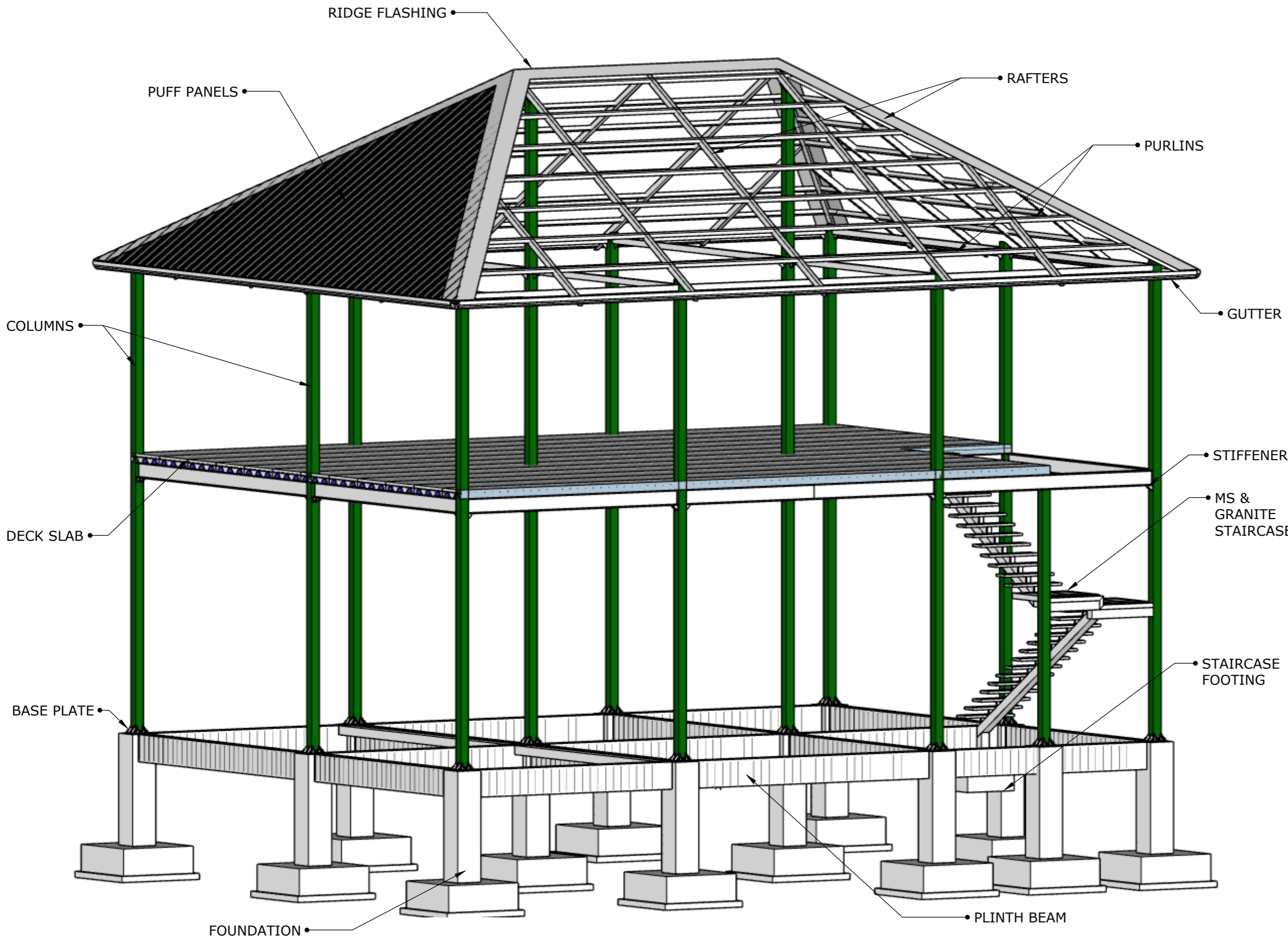
SHEET A3

80730 21127 79753 37855



www.buildersanddesigners.com

DESIGN BY TABREZ
DRAWN BY TAHER
CHECKED BY TABREZ
DRAWING NO BnDRFH - 14



NOTE

1. THIS DRAWING IS THE PROPERTY OF SRJ PIPELINE PVT LTD., AND SHALL NOT BE COPIED OR USED WITHOUT PRIOR PERMISSION.
2. IN CASE OF ANY ISSUE WITH THE DRAWING OR MEASUREMENT BEFORE TAKING A CALL WE SHOULD BE INFORMED.

TITLE
PLAN & ELEVATIONS OF EMERGENCY STAIRCASE (PLANT 2)

SCALE: 1:64
 CLIENT:- Mr. RAFI

DATE OF ISSUE: 16.02.2026

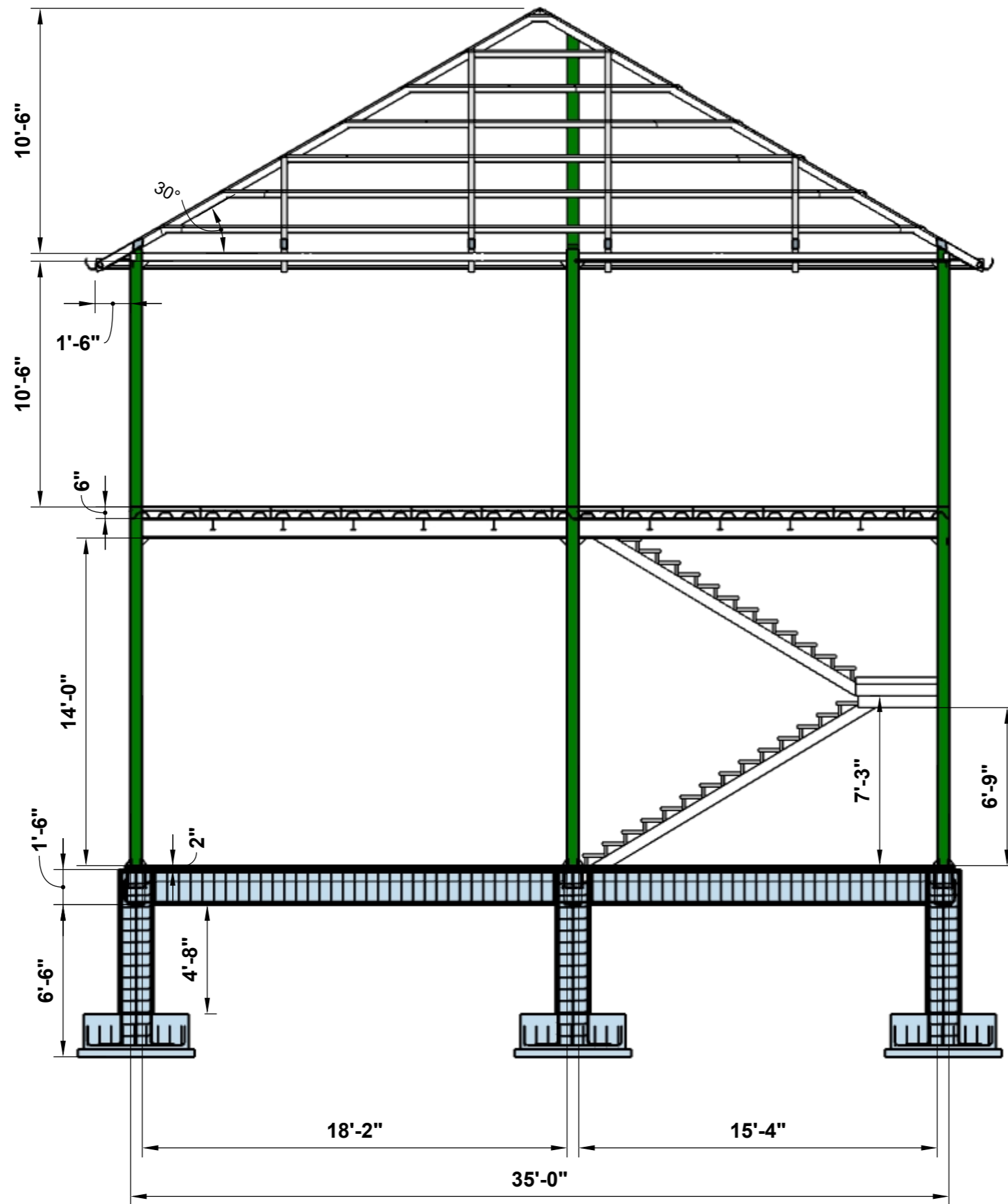
REVISION		SHEET A3
SN	REVISION NO	DATE
01	R0	16-02-2026

80730 21127 79753 37855



www.buildersanddesigners.com

DESIGN BY TABREZ
 DRAWN BY TAHER
 CHECKED BY TABREZ
 DRAWING NO BnDRFH - 1



NOTE

1. THIS DRAWING IS THE PROPERTY OF SRJ PIPELINE PVT LTD., AND SHALL NOT BE COPIED OR USED WITHOUT PRIOR PERMISSION.
2. IN CASE OF ANY ISSUE WITH THE DRAWING OR MEASUREMENT BEFORE TAKING A CALL WE SHOULD BE INFORMED.

TITLE

PLAN & ELEVATIONS OF EMERGENCY STAIRCASE (PLANT 2)

SCALE: 1:64

CLIENT:-
Mr. RAFI

DATE OF ISSUE: 16.02.2026

REVISION

SHEET
A3

SN	REVISION NO	DATE
01	R0	16-02-2026

80730 21127 79753 37855



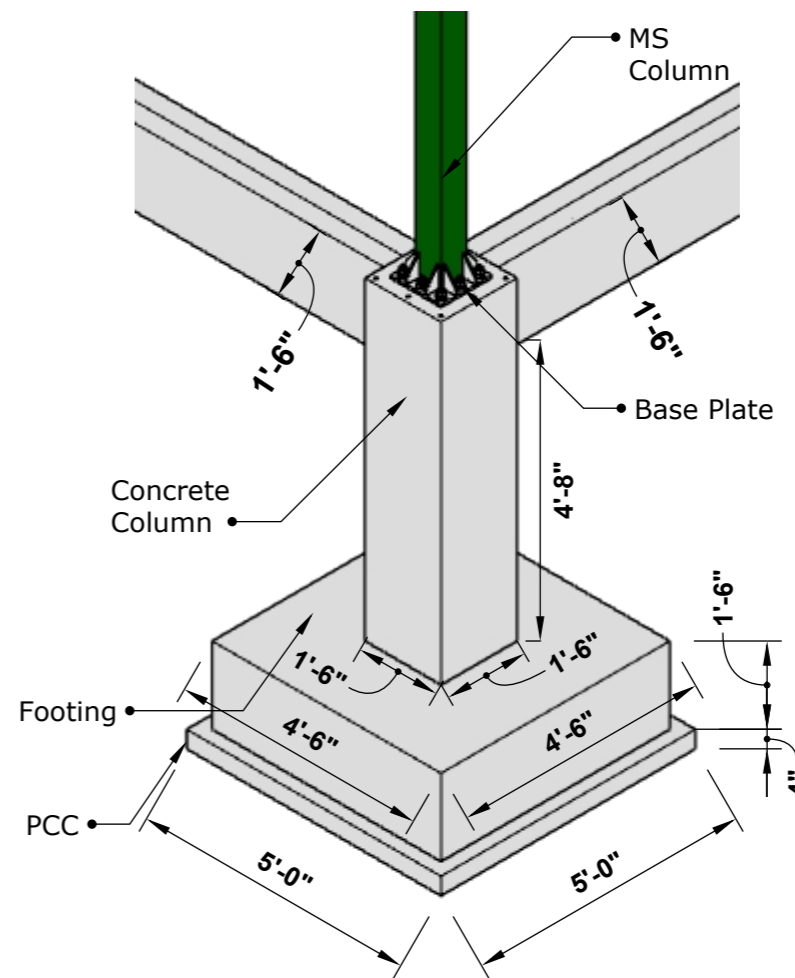
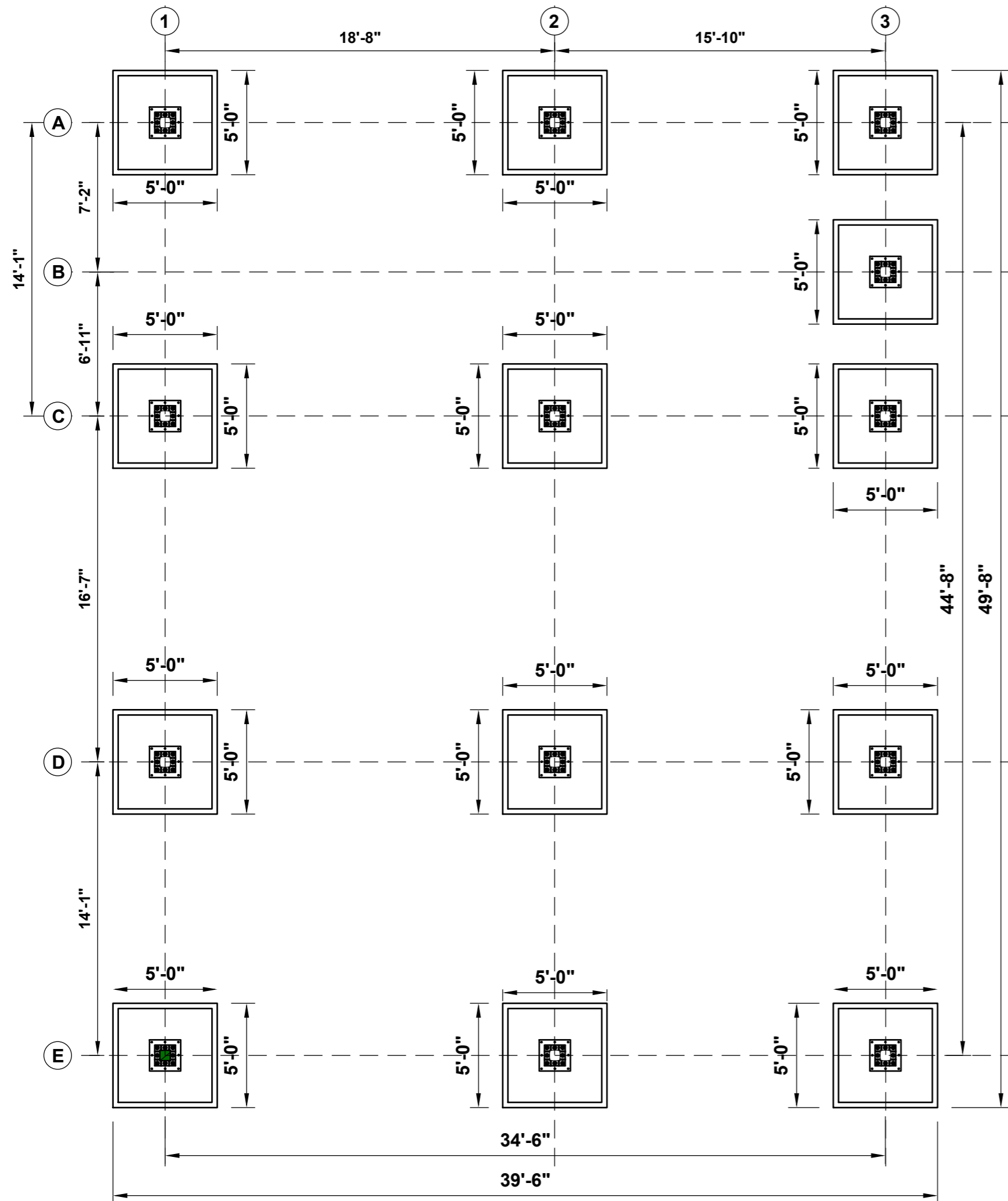
www.buildersanddesigners.com

DESIGN BY TABREZ

DRAWN BY TAHER

CHECKED BY TABREZ

DRAWING NO BnDRFH - 2



2 TYPICAL FOUNDATION

1 EXCAVATION MARKING

NOTE

1. THIS DRAWING IS THE PROPERTY OF SRJ PIPELINE PVT LTD., AND SHALL NOT BE COPIED OR USED WITHOUT PRIOR PERMISSION.
2. IN CASE OF ANY ISSUE WITH THE DRAWING OR MEASUREMENT BEFORE TAKING A CALL WE SHOULD BE INFORMED.

TITLE
EXCAVATION DETAIL DRAWING

SCALE: 1:64
 CLIENT:- Mr. RAFI

DATE OF ISSUE: 16.02.2026

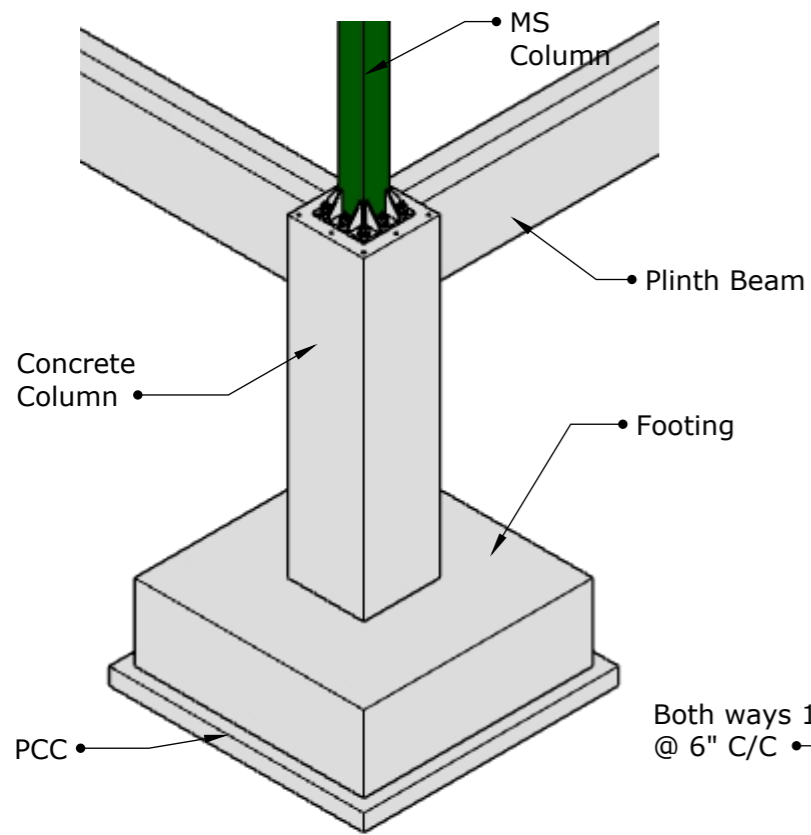
REVISION		SHEET A3
SN	REVISION NO	DATE
01	R0	16-02-2026

80730 21127 79753 37855

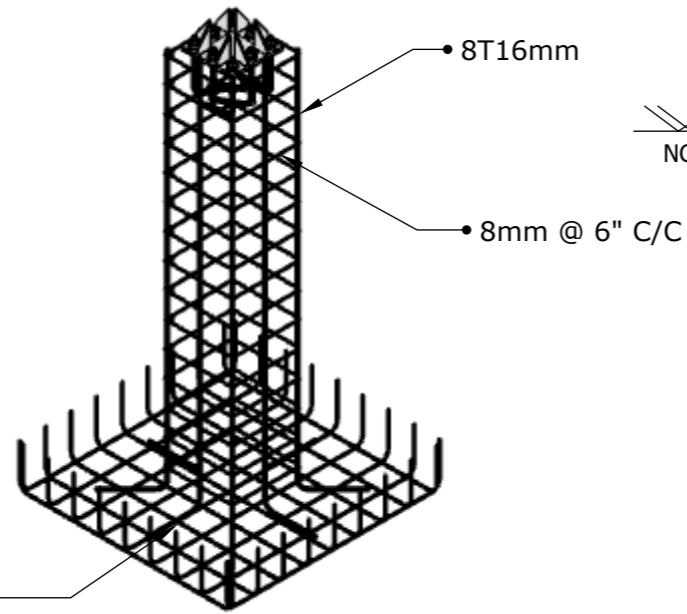
Builders and Designers
 plan, design, build

www.buildersanddesigners.com

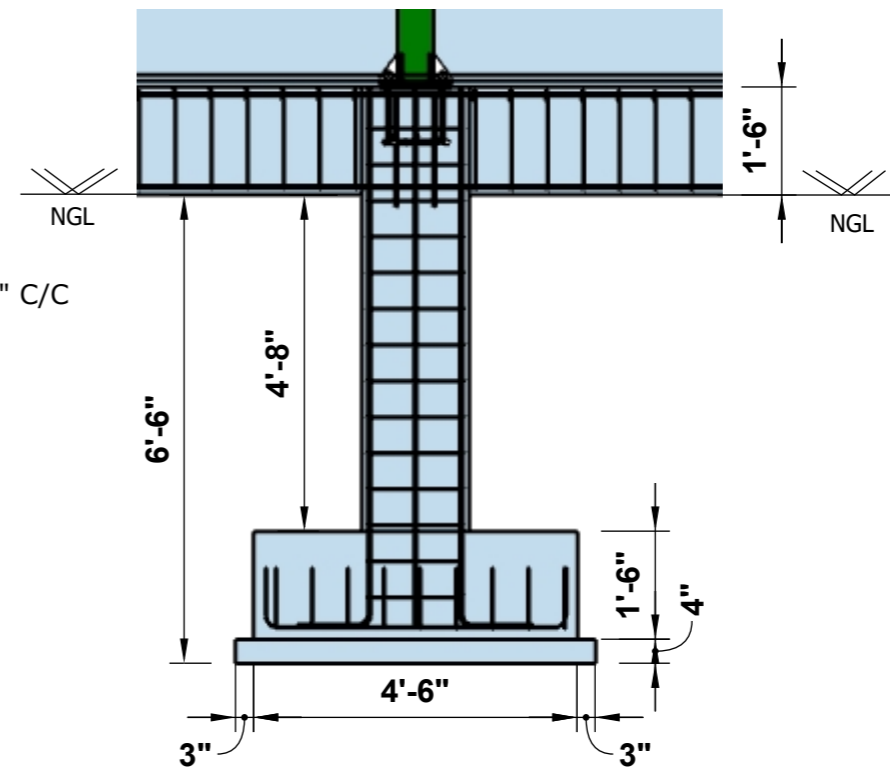
DESIGN BY TABREZ
 DRAWN BY TAHER
 CHECKED BY TABREZ
 DRAWING NO BnDRFH - 3



1 FOUNDATION ISOMETRIC VIEW

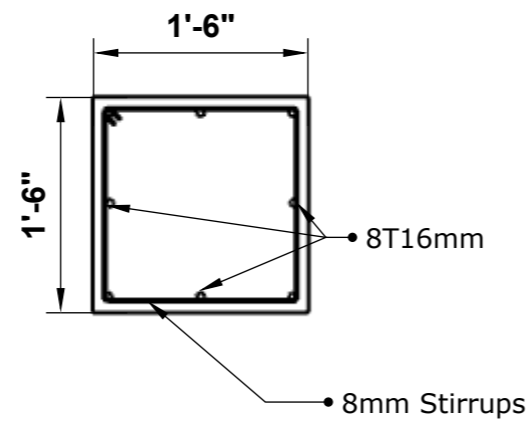


2 FOUNDATION REINFORCEMENT ISOMETRIC VIEW

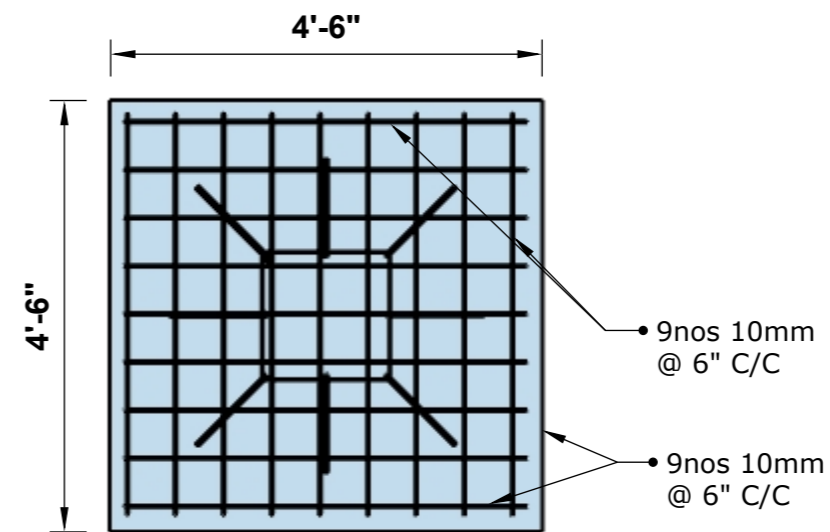


3 FOUNDATION SECTION

SN	Footing Size	Reinforcement
1	5'x5'	10mm@6" C/C both ways



4 COLUMN REINFORCEMENT



5 FOOTING REINFORCEMENT

NOTE
1. THIS DRAWING IS THE PROPERTY OF SRJ PIPELINE PVT LTD., AND SHALL NOT BE COPIED OR USED WITHOUT PRIOR PERMISSION.
2. IN CASE OF ANY ISSUE WITH THE DRAWING OR MEASUREMENT BEFORE TAKING A CALL WE SHOULD BE INFORMED.

TITLE
FOOTING DETAIL

SCALE: 1:64
CLIENT:- Mr. RAFI

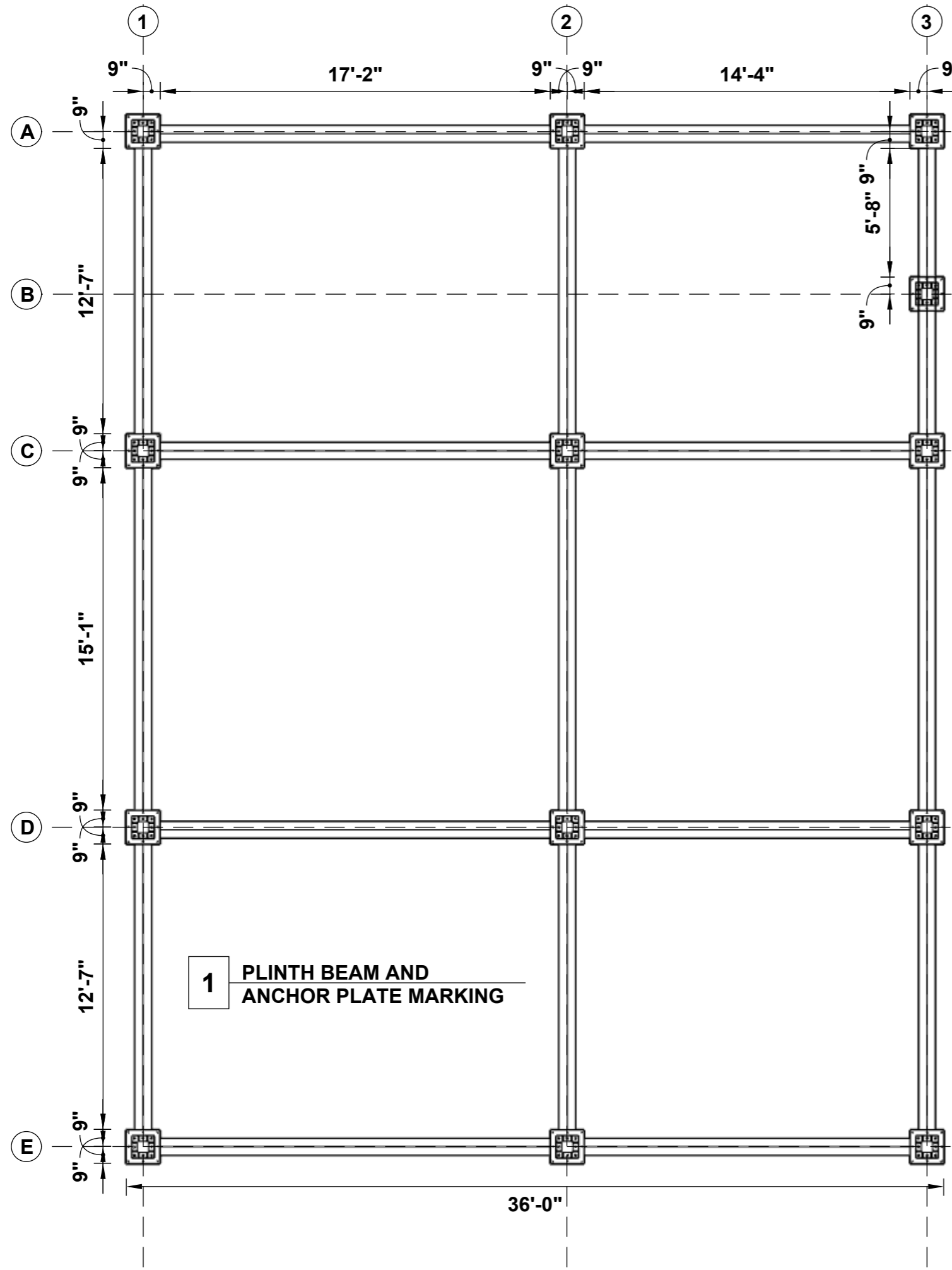
DATE OF ISSUE: 16.02.2026

REVISION		SHEET A3
SN	REVISION NO	DATE
01	R0	16-02-2026

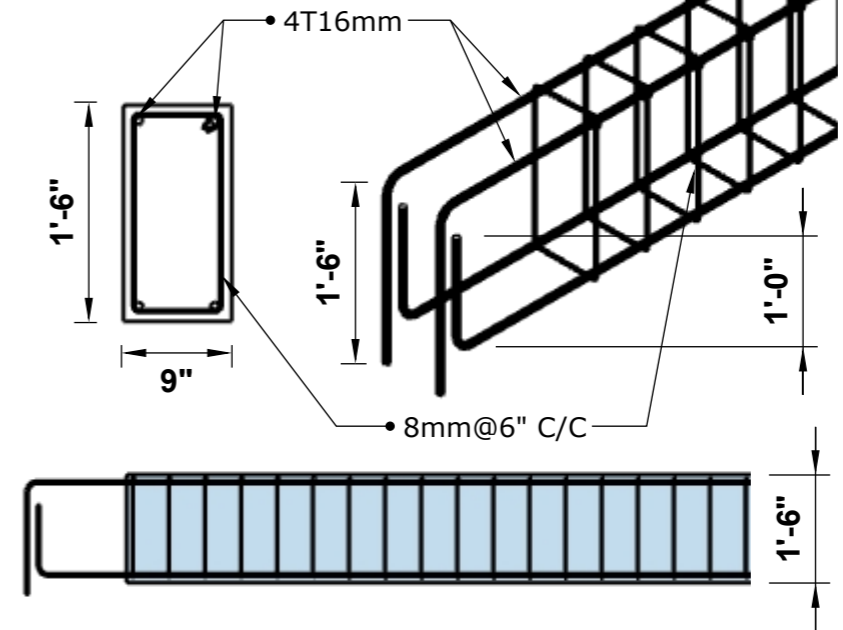
80730 21127 79753 37855

Builders and Designers
plan, design, build

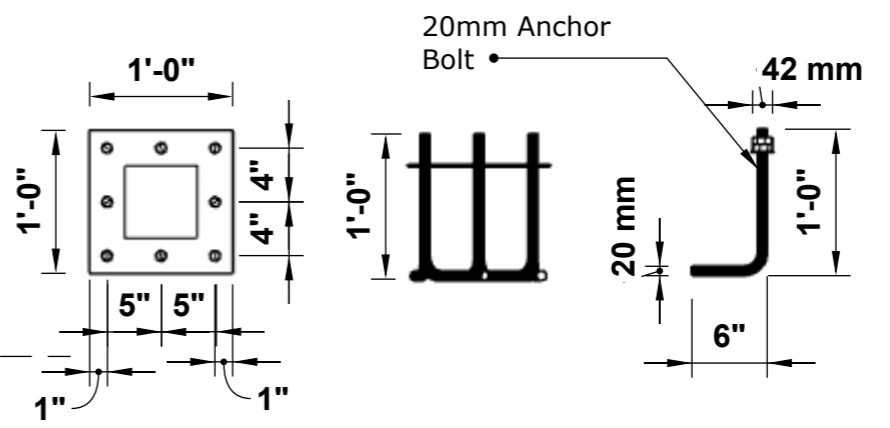
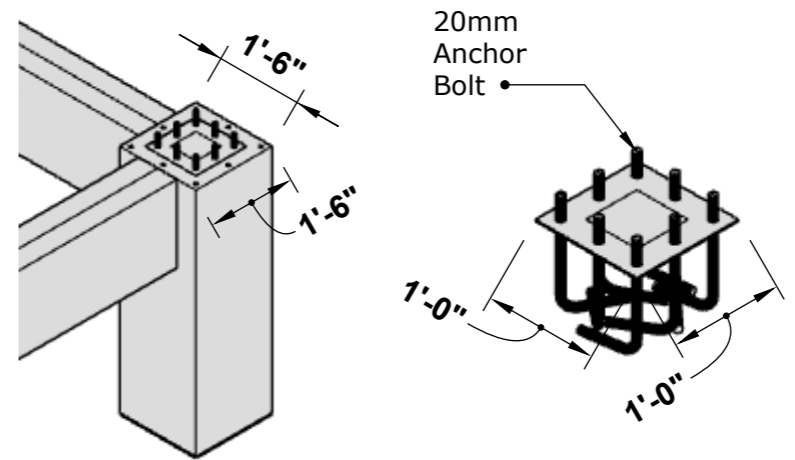
www.buildersanddesigners.com	
DESIGN BY	TABREZ
DRAWN BY	TAHER
CHECKED BY	TABREZ
DRAWING NO	BnDRFH - 4



1 PLINTH BEAM AND ANCHOR PLATE MARKING



2 PLINTH BEAM REINFORCEMENT



3 ANCHOR PLATE DETAILING

NOTE

1. THIS DRAWING IS THE PROPERTY OF SRJ PIPELINE PVT LTD., AND SHALL NOT BE COPIED OR USED WITHOUT PRIOR PERMISSION.
2. IN CASE OF ANY ISSUE WITH THE DRAWING OR MEASUREMENT BEFORE TAKING A CALL WE SHOULD BE INFORMED.

TITLE

SCALE: 1:64
 CLIENT:- Mr. RAFI

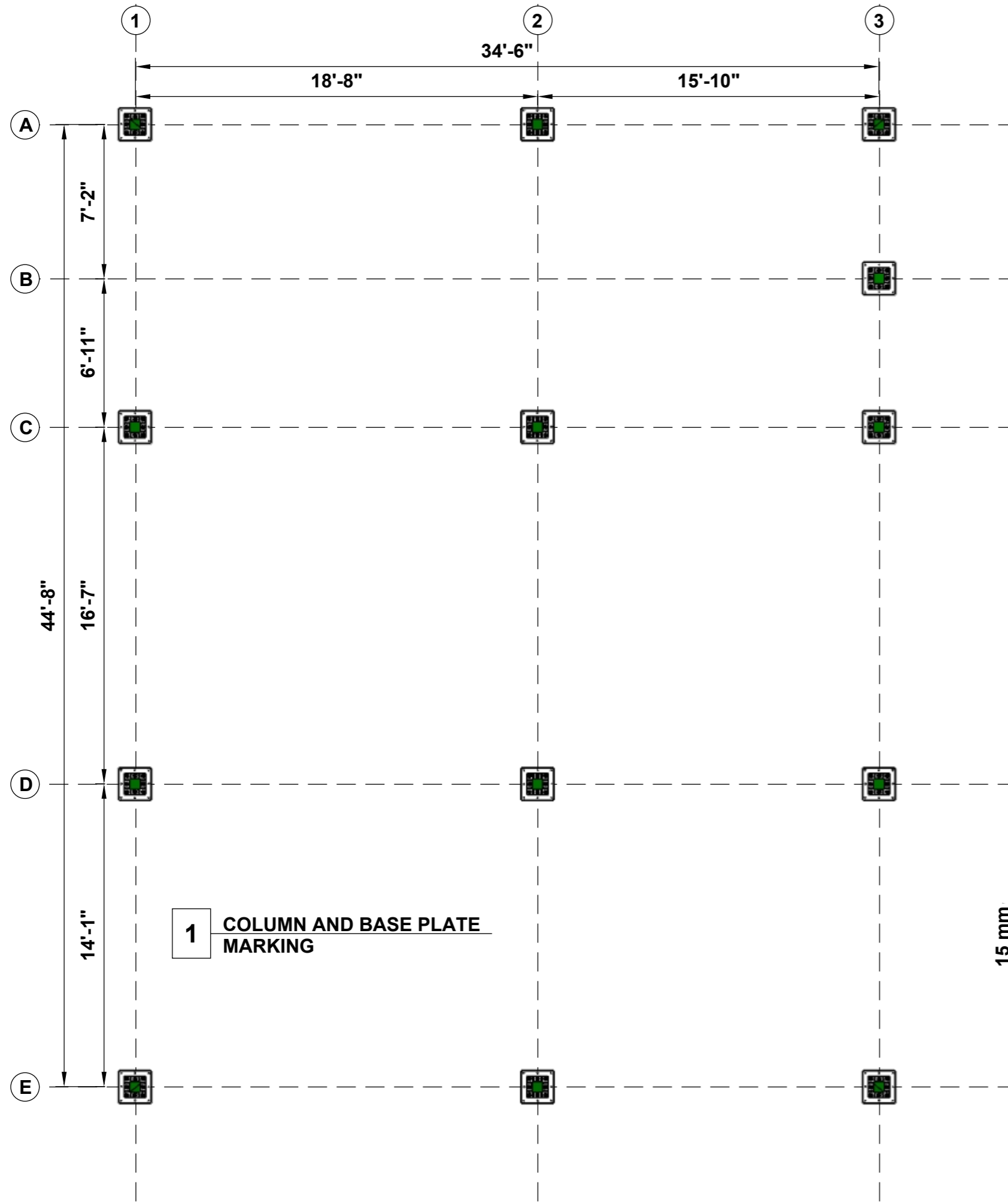
DATE OF ISSUE: 16.02.2026

REVISION		SHEET A3
SN	REVISION NO	DATE
01	R0	16-02-2026

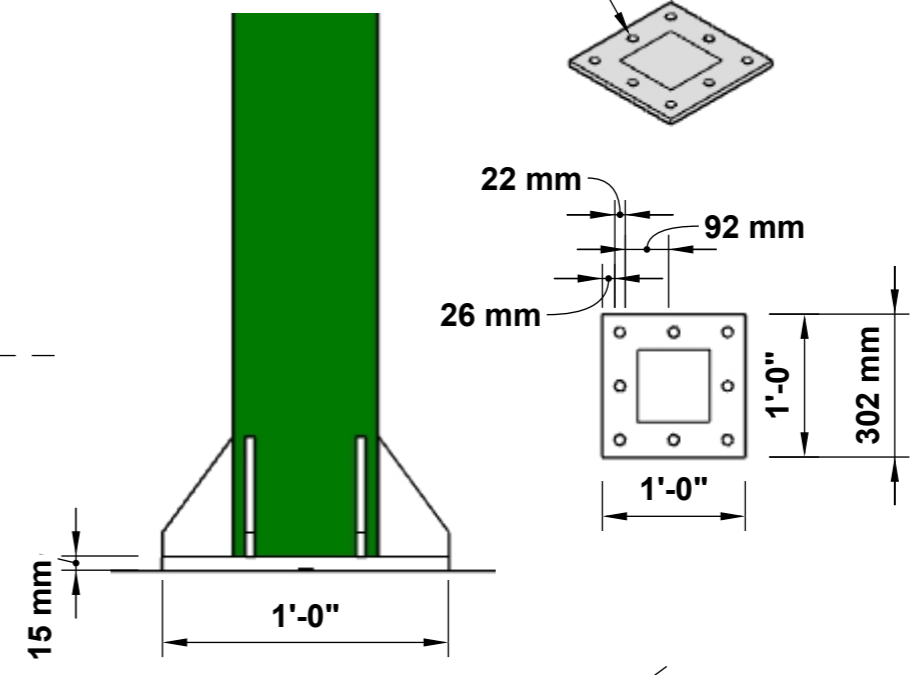
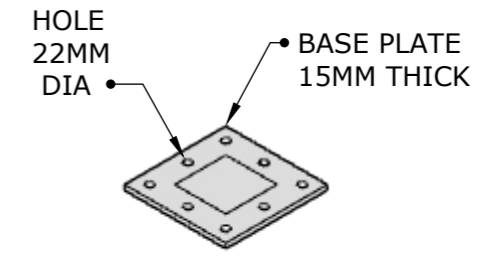
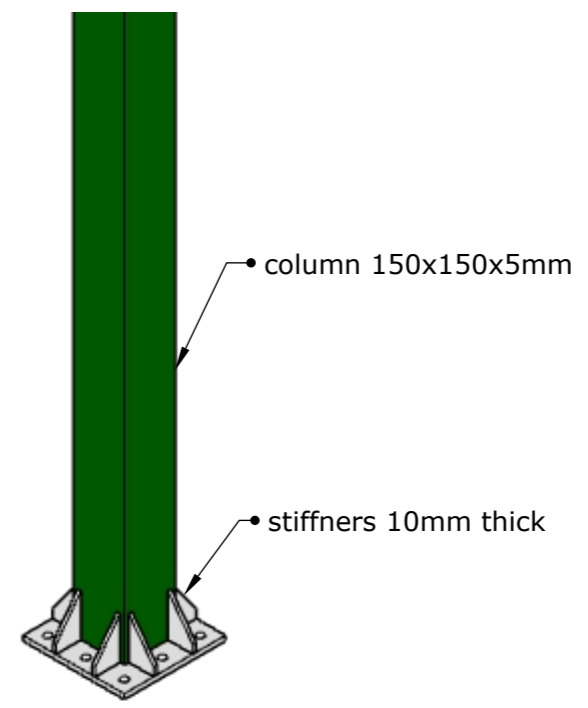
80730 21127 79753 37855

www.buildersanddesigners.com

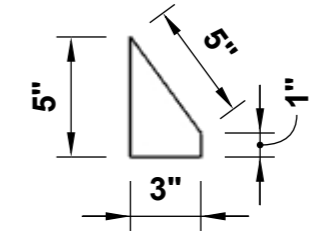
DESIGN BY TABREZ
 DRAWN BY TAHER
 CHECKED BY TABREZ
 DRAWING NO BnDRFH - 5



1 COLUMN AND BASE PLATE MARKING



3 BASE PLATE DETAILING



NOTE

1. THIS DRAWING IS THE PROPERTY OF SRJ PIPELINE PVT LTD., AND SHALL NOT BE COPIED OR USED WITHOUT PRIOR PERMISSION.
2. IN CASE OF ANY ISSUE WITH THE DRAWING OR MEASUREMENT BEFORE TAKING A CALL WE SHOULD BE INFORMED.

TITLE

SCALE: 1:64
 CLIENT:- Mr. RAFI

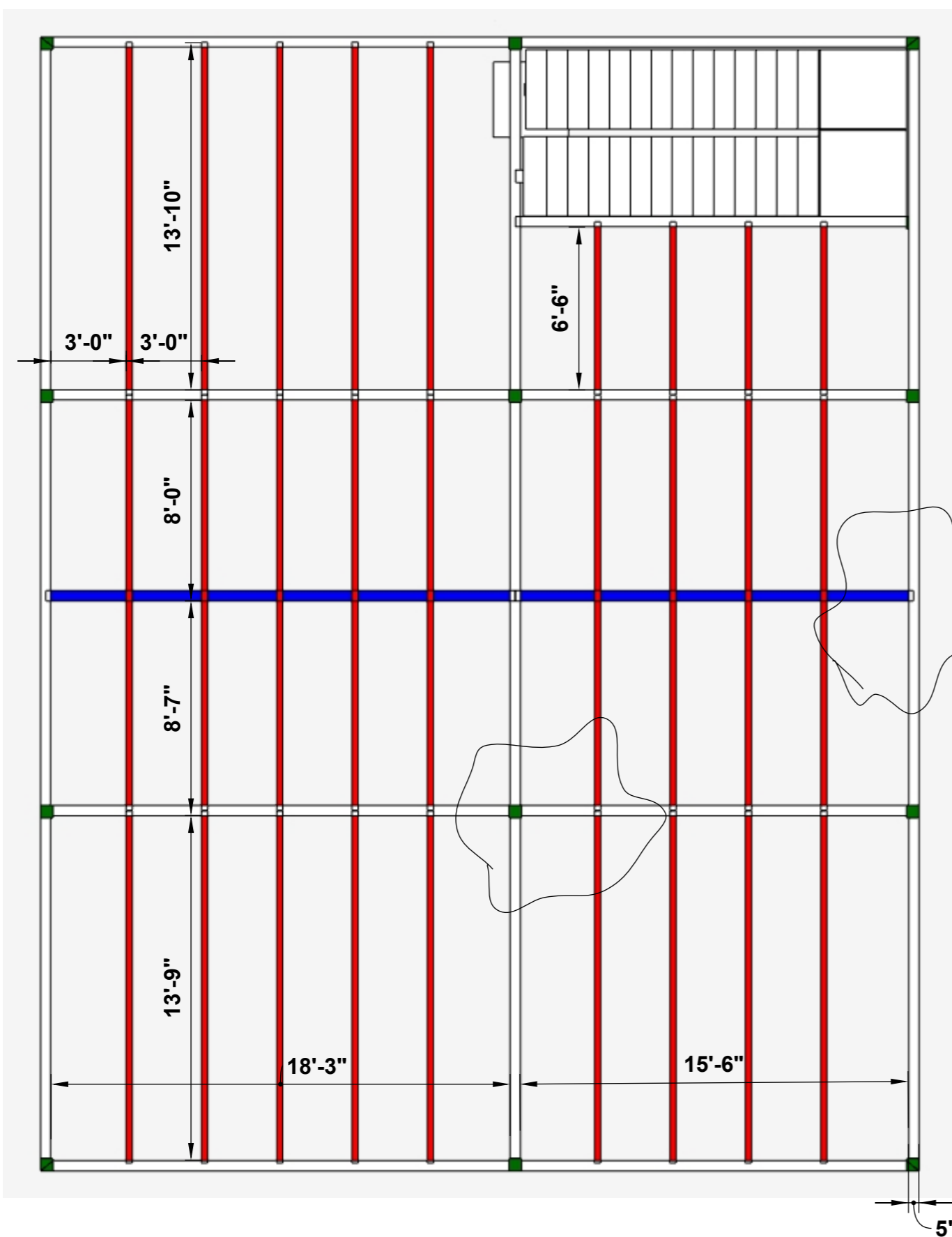
DATE OF ISSUE: 16.02.2026

REVISION		SHEET A3
SN	REVISION NO	DATE
01	R0	16-02-2026

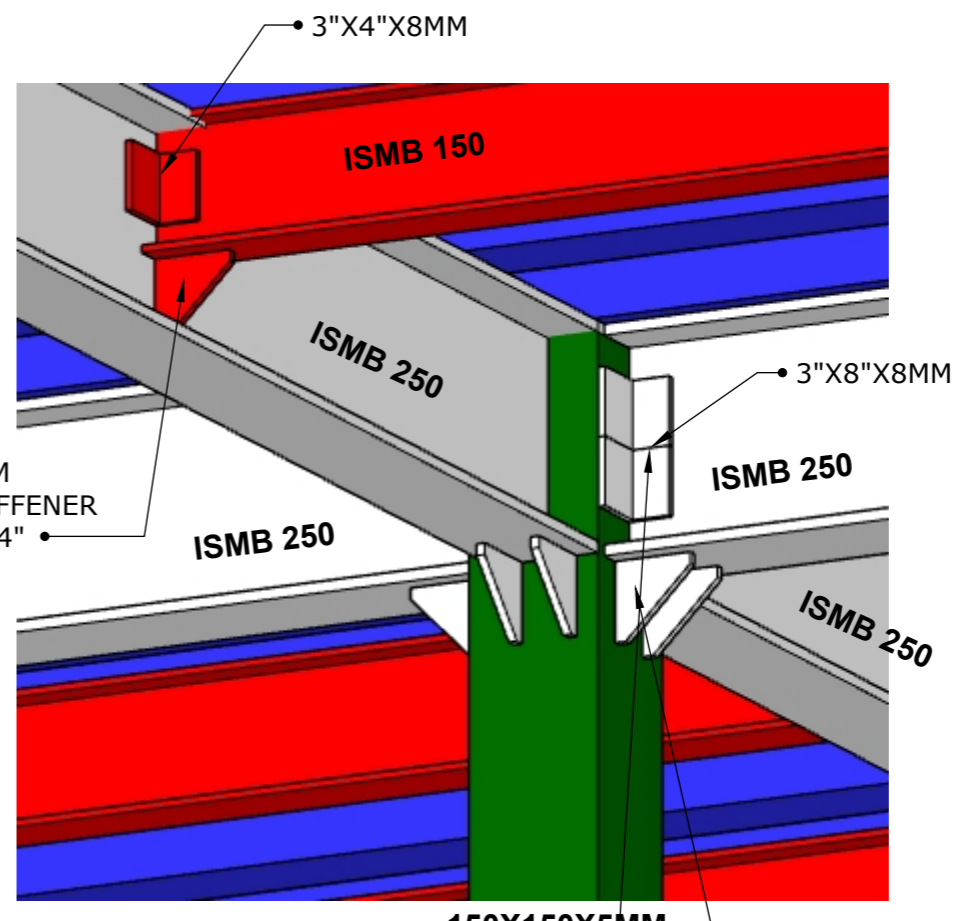
80730 21127 79753 37855

www.buildersanddesigners.com

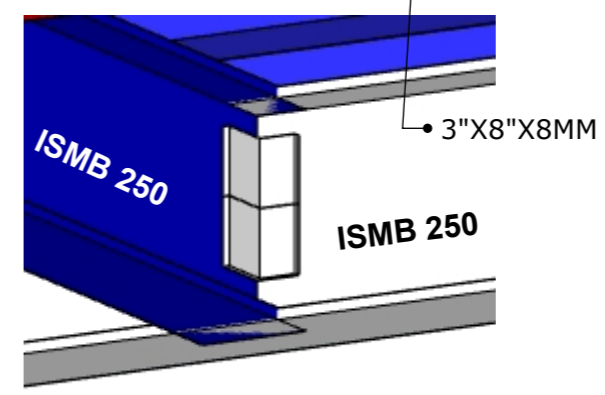
DESIGN BY	TABREZ
DRAWN BY	TAHER
CHECKED BY	TABREZ
DRAWING NO	BnDRFH - 6



1 First Floor Beam Layout



2 BEAM TO COLUMN AND PRIMARY TO SECONDARY BEAM JOINT



3 ISMB 250 TO ISMB 250 JOINT

NOTE

1. THIS DRAWING IS THE PROPERTY OF SRJ PIPELINE PVT LTD., AND SHALL NOT BE COPIED OR USED WITHOUT PRIOR PERMISSION.
2. IN CASE OF ANY ISSUE WITH THE DRAWING OR MEASUREMENT BEFORE TAKING A CALL WE SHOULD BE INFORMED.

TITLE

SCALE: 1:64
 CLIENT:- Mr. RAFI

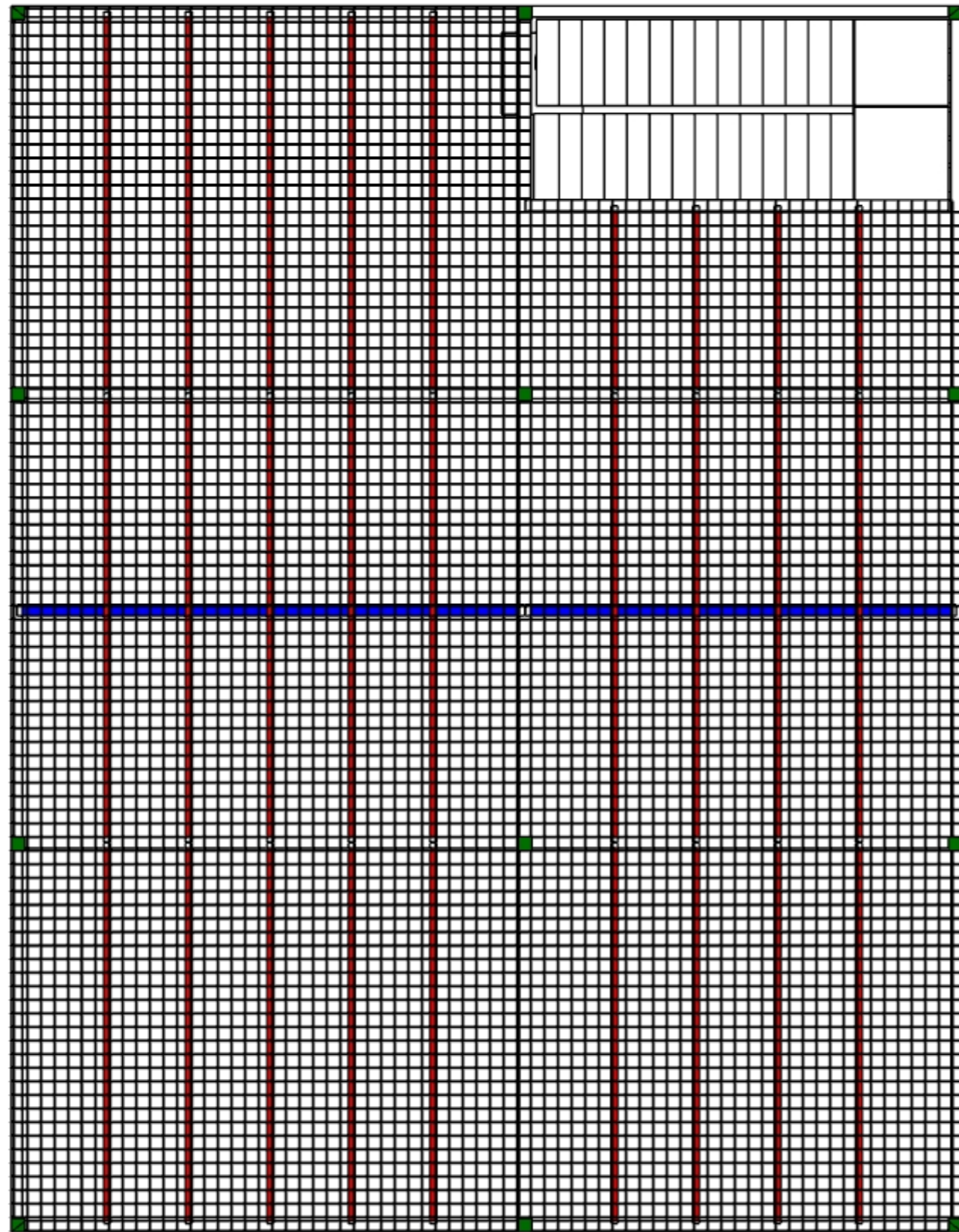
DATE OF ISSUE: 16.02.2026

REVISION		SHEET A3
SN	REVISION NO	DATE
01	R0	16-02-2026

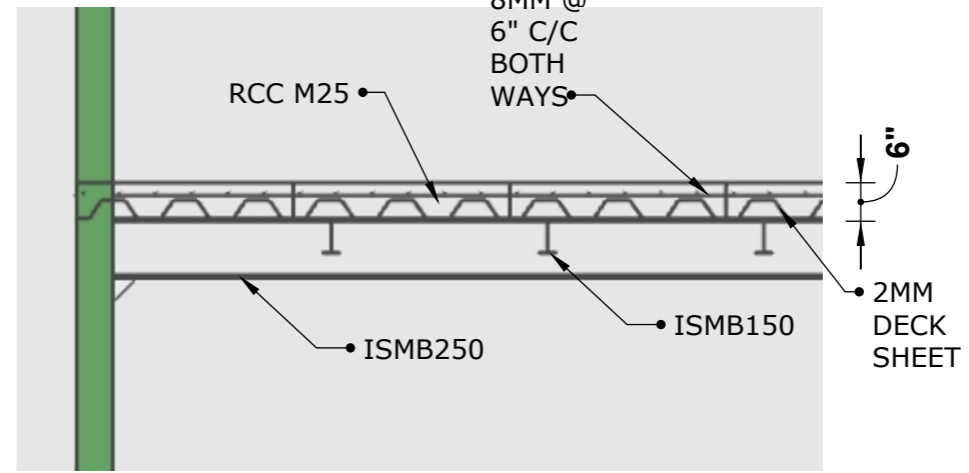
80730 21127 79753 37855

www.buildersanddesigners.com

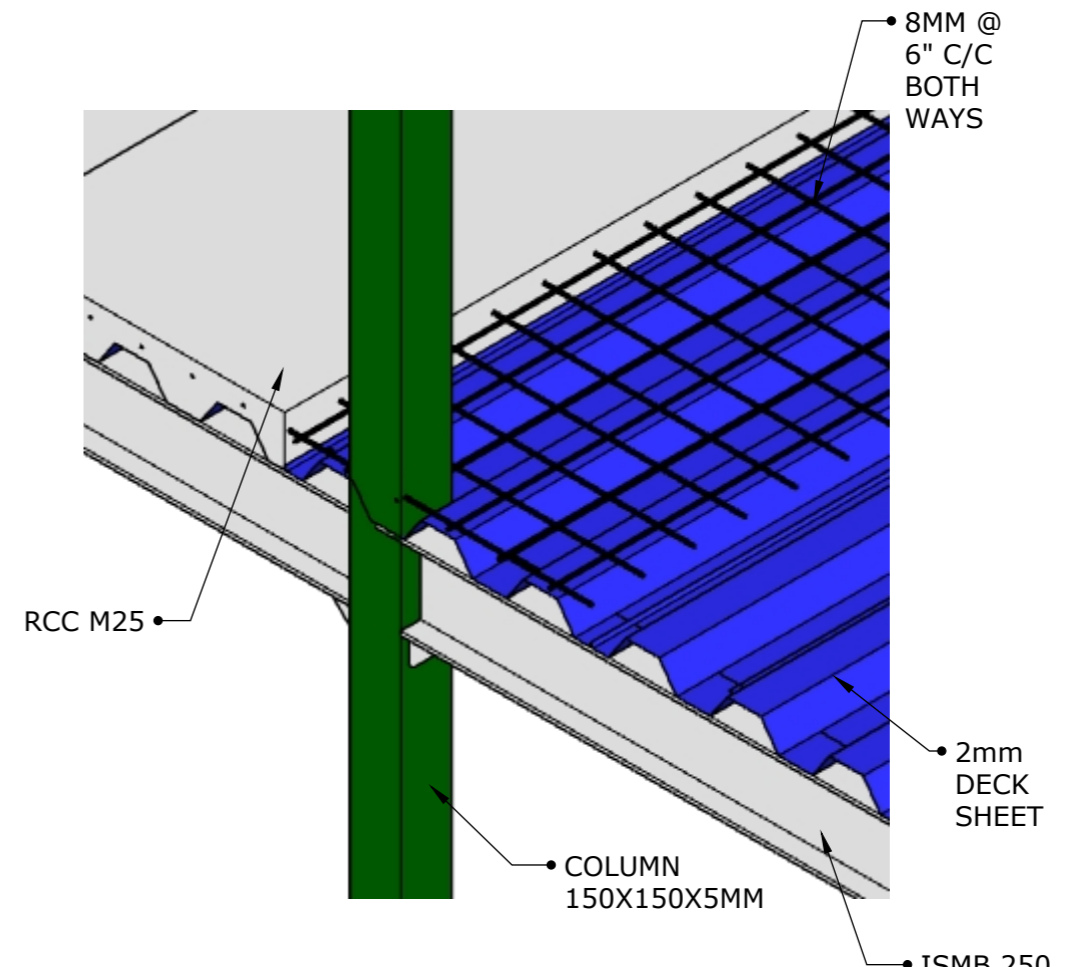
DESIGN BY	TABREZ
DRAWN BY	TAHER
CHECKED BY	TABREZ
DRAWING NO	BnDRFH - 7



1 Deck Slab Reinforcement



1 First Floor Beam Layout



1 First Floor Beam Layout

NOTE

1. THIS DRAWING IS THE PROPERTY OF SRJ PIPELINE PVT LTD., AND SHALL NOT BE COPIED OR USED WITHOUT PRIOR PERMISSION.
2. IN CASE OF ANY ISSUE WITH THE DRAWING OR MEASUREMENT BEFORE TAKING A CALL WE SHOULD BE INFORMED.

TITLE

SCALE: 1:64
 CLIENT:- Mr. RAFI

DATE OF ISSUE: 16.02.2026

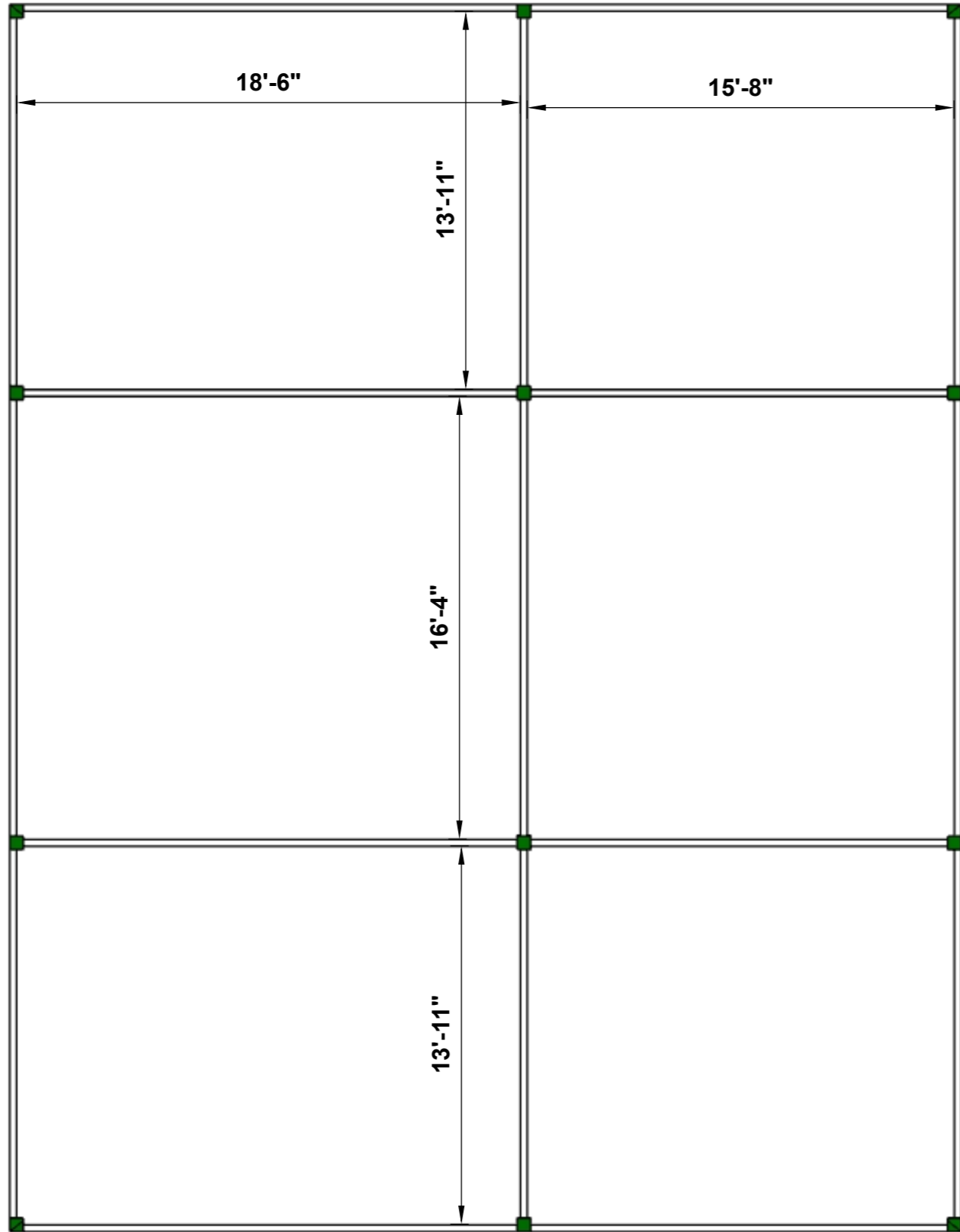
REVISION		SHEET A3
SN	REVISION NO	DATE
01	R0	16-02-2026

80730 21127 79753 37855

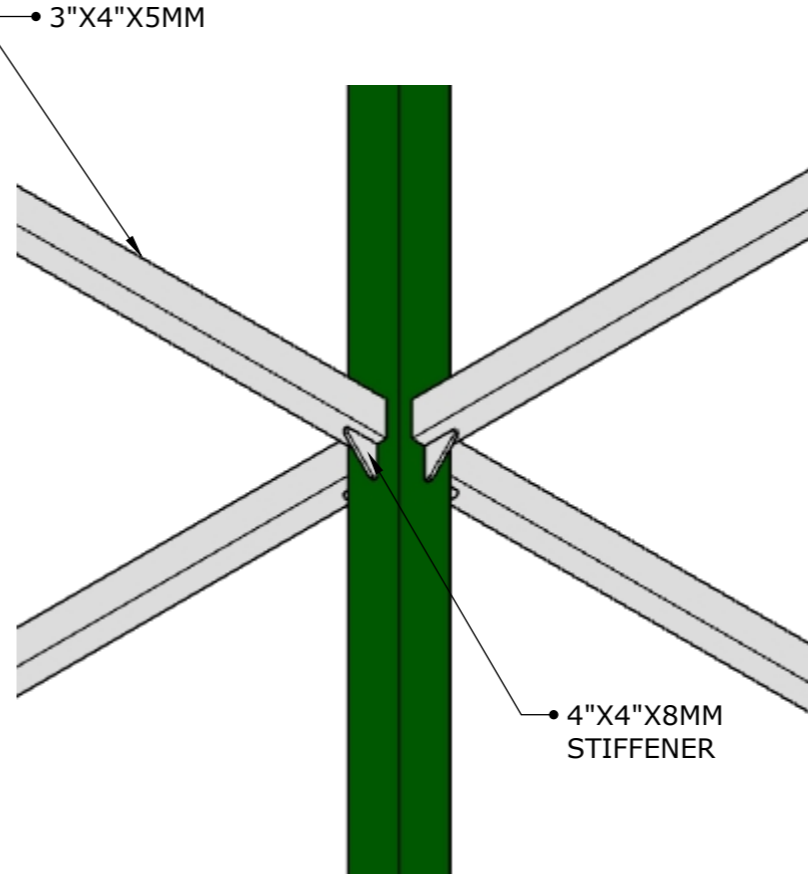


www.buildersanddesigners.com

DESIGN BY TABREZ
 DRAWN BY TAHER
 CHECKED BY TABREZ
 DRAWING NO BnDRFH - 8



1 Roof Beam Detail



2 BEAM TO COLUMN JOINT

NOTE

1. THIS DRAWING IS THE PROPERTY OF SRJ PIPELINE PVT LTD., AND SHALL NOT BE COPIED OR USED WITHOUT PRIOR PERMISSION.
2. IN CASE OF ANY ISSUE WITH THE DRAWING OR MEASUREMENT BEFORE TAKING A CALL WE SHOULD BE INFORMED.

TITLE

SCALE: 1:64
 CLIENT:- Mr. RAFI

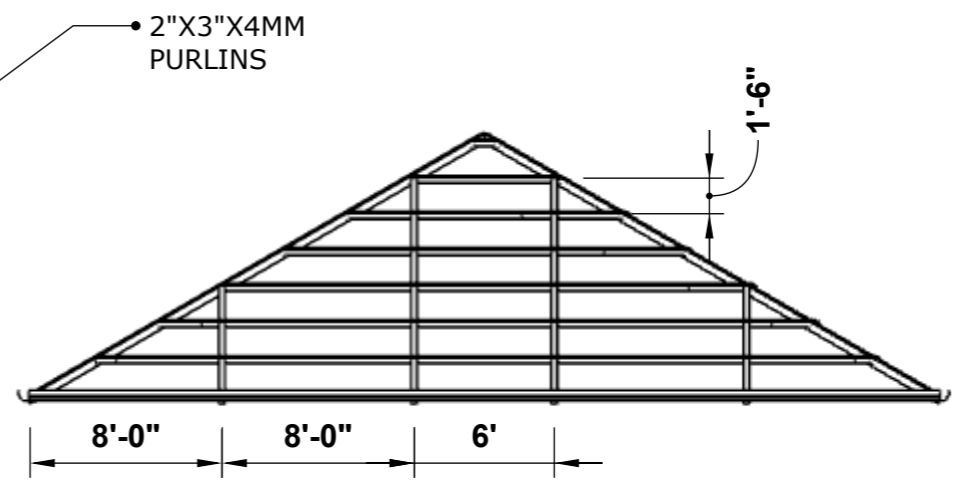
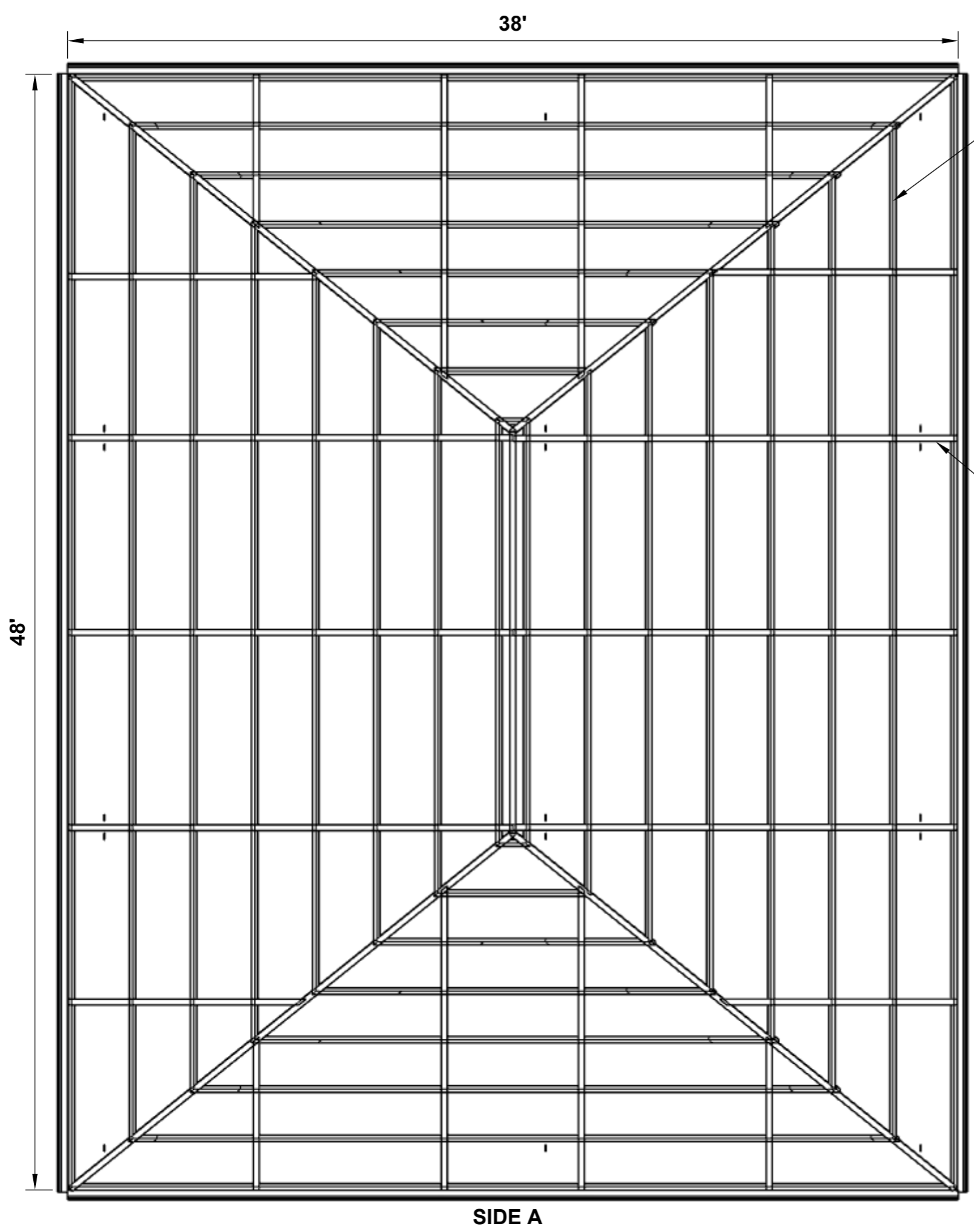
DATE OF ISSUE: 16.02.2026

REVISION		SHEET A3
SN	REVISION NO	DATE
01	R0	16-02-2026

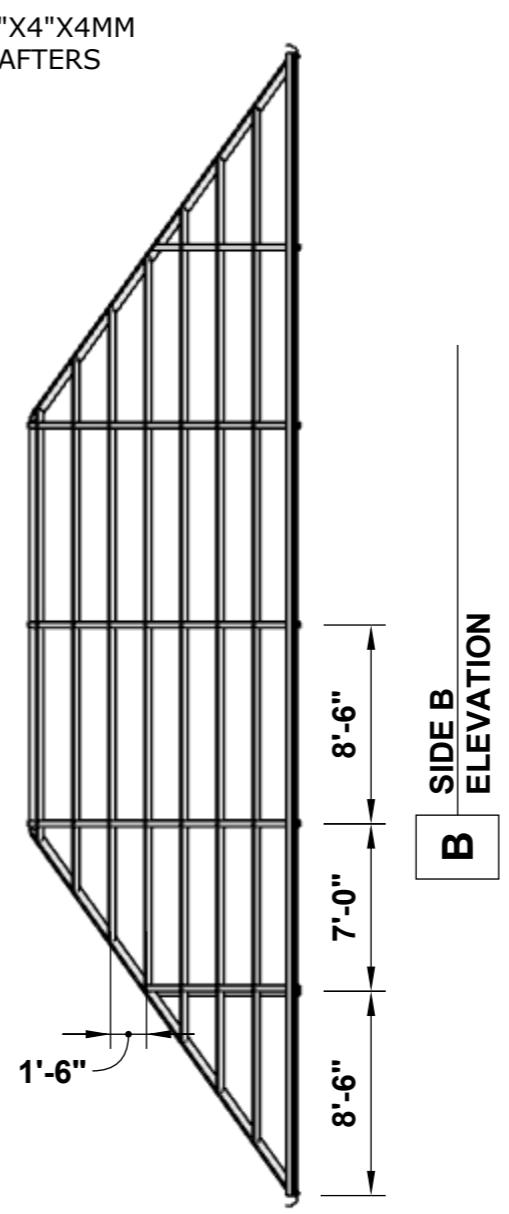
80730 21127 79753 37855

www.buildersanddesigners.com

DESIGN BY TABREZ
 DRAWN BY TAHER
 CHECKED BY TABREZ
 DRAWING NO BnDRFH - 9



A SIDE A ELEVATION



B SIDE B ELEVATION

• 2"X3"X4MM PURLINS

• 3"X4"X4MM RAFTERS

1 Roof Beam Detail

NOTE

1. THIS DRAWING IS THE PROPERTY OF SRJ PIPELINE PVT LTD., AND SHALL NOT BE COPIED OR USED WITHOUT PRIOR PERMISSION.
2. IN CASE OF ANY ISSUE WITH THE DRAWING OR MEASUREMENT BEFORE TAKING A CALL WE SHOULD BE INFORMED.

TITLE

SCALE: 1:64
 CLIENT:- Mr. RAFI

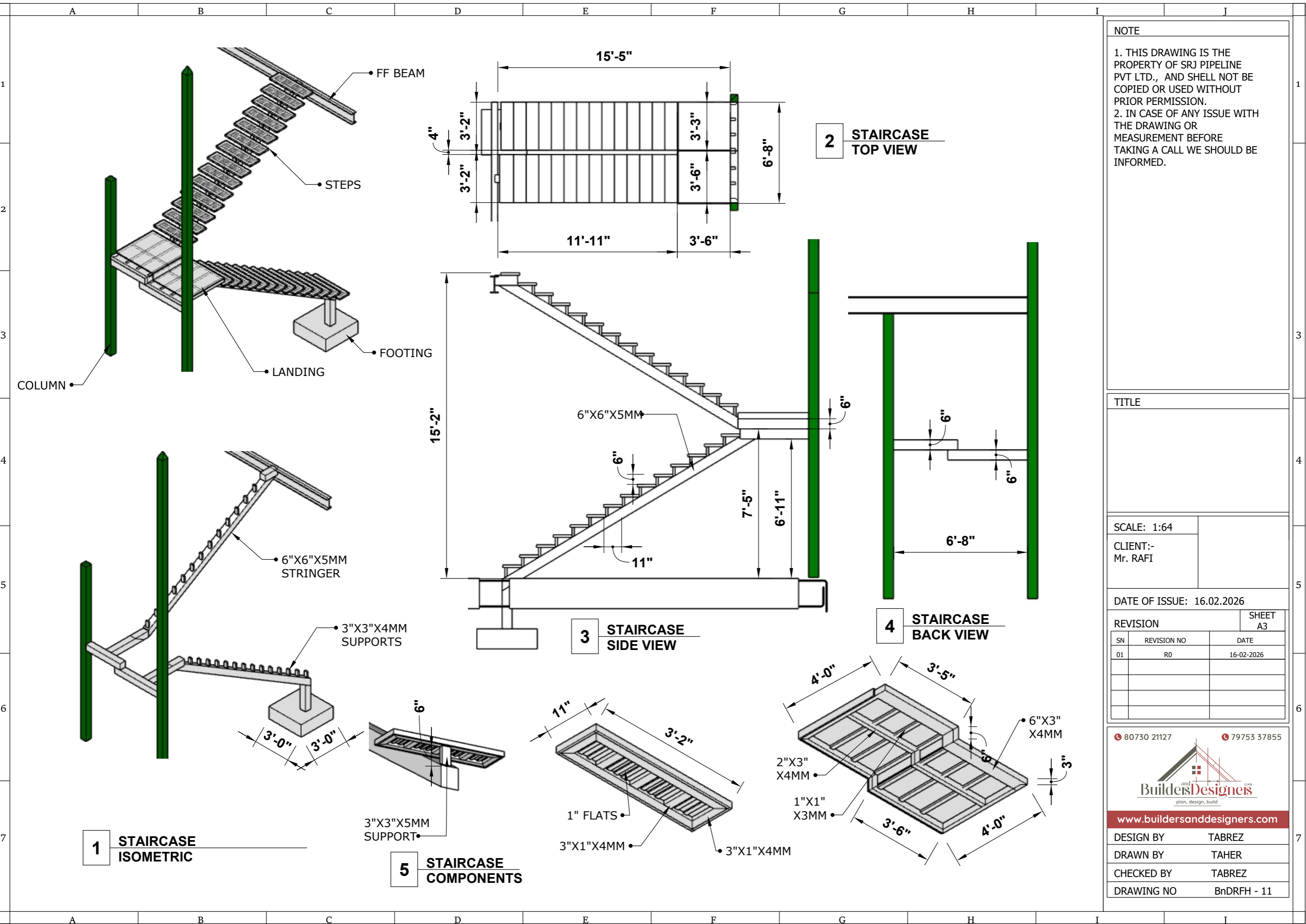
DATE OF ISSUE: 16.02.2026

REVISION		SHEET A3
SN	REVISION NO	DATE
01	R0	16-02-2026

80730 21127 79753 37855

www.buildersanddesigners.com

DESIGN BY	TABREZ
DRAWN BY	TAHER
CHECKED BY	TABREZ
DRAWING NO	BnDRFH - 10



NOTE

1. THIS DRAWING IS THE PROPERTY OF SRJ PIPELINE PVT LTD., AND SHALL NOT BE COPIED OR USED WITHOUT PRIOR PERMISSION.
2. IN CASE OF ANY ISSUE WITH THE DRAWING OR MEASUREMENT BEFORE TAKING A CALL WE SHOULD BE INFORMED.

TITLE

SCALE: 1:64
 CLIENT:- Mr. RAFI

DATE OF ISSUE: 16.02.2026

SN	REVISION NO	DATE
01	R0	16-02-2026

80730 21127 79753 37855



www.buildersanddesigners.com

DESIGN BY TABREZ
 DRAWN BY TAHER
 CHECKED BY TABREZ
 DRAWING NO BnDRFH - 11