

- NOTES**
1. REFERENCE CODE: IS 800
  2. THE DRAWING IS NOT TO THE SCALE. ONLY WRITTEN DIMENSION SHALL BE FOLLOWED.
  3. ALL DIMENSIONS ARE IN MM.
  4. IN CASE OF ANY ISSUE WITH THE DRAWING OR MEASUREMENT BEFORE TAKING A CALL WE SHOULD BE INFORMED.

**TITLE**  
MAIN STAIR CASE

SCALE: 3/16:1

DATE OF ISSUE: 19.02.2026

REVISIONS

SN	REVISION NO	DATE
01	R0	19-02-2026

60750 21127 79755 57855



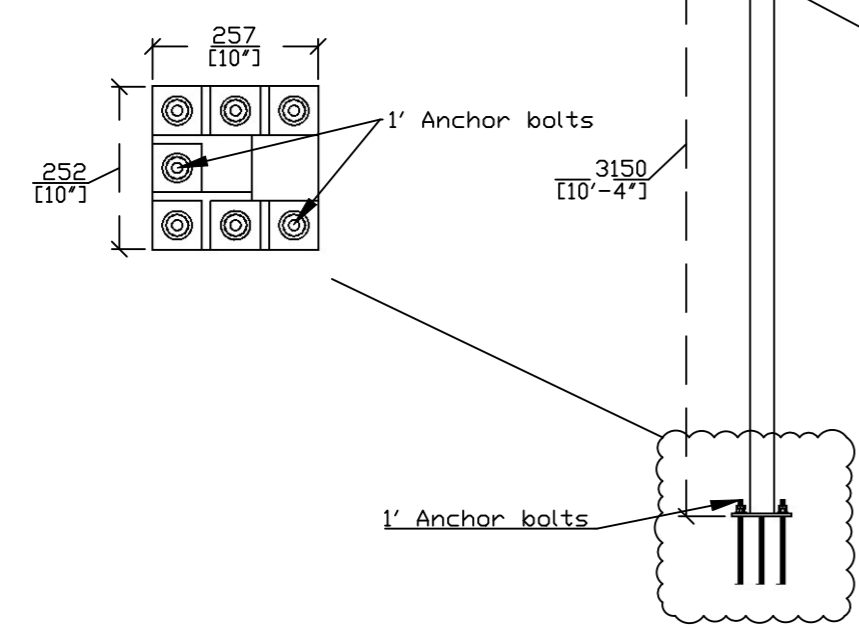
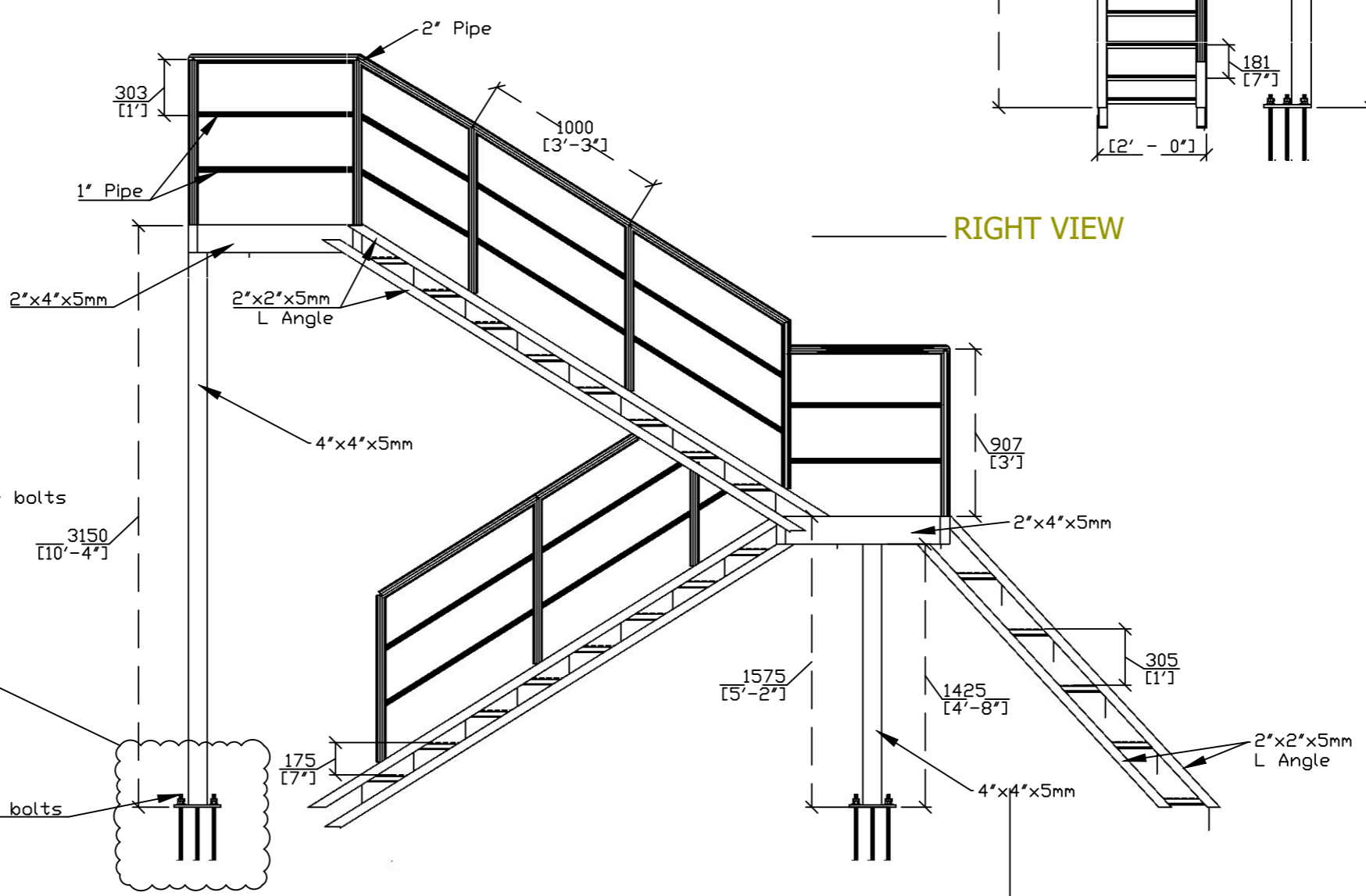
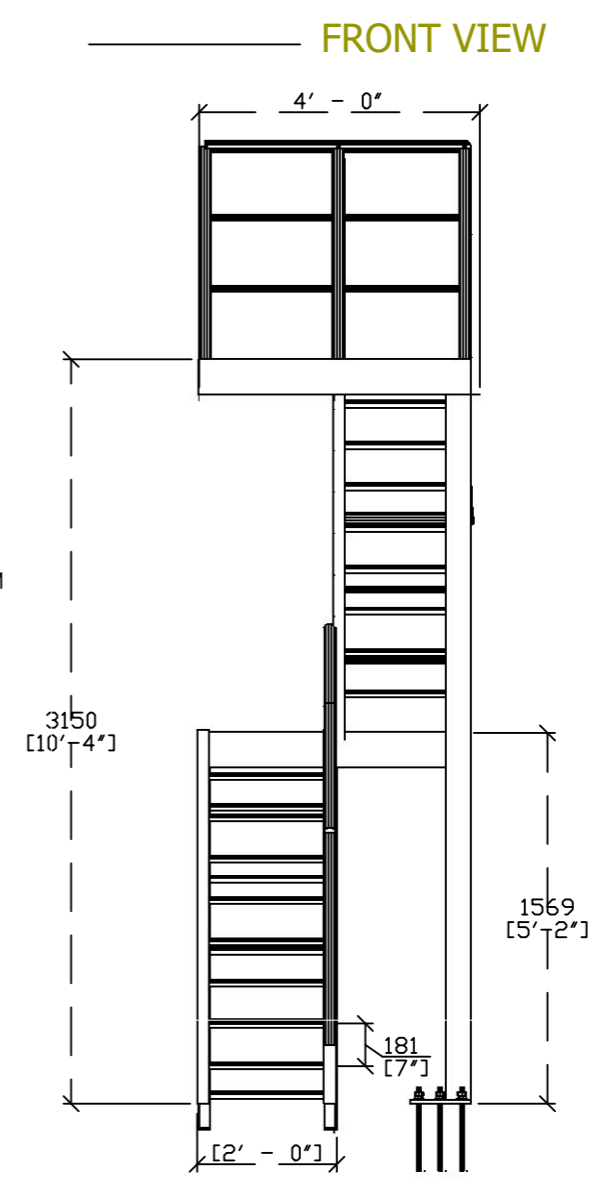
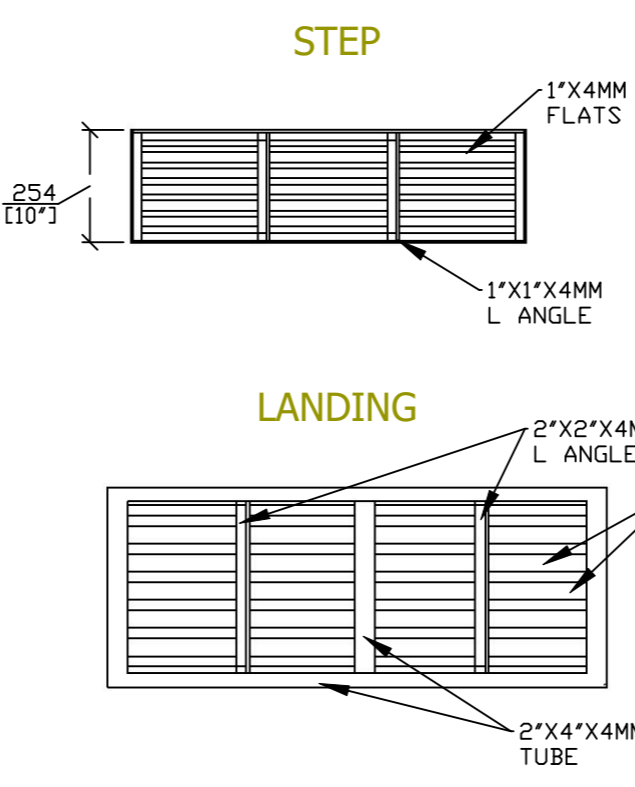
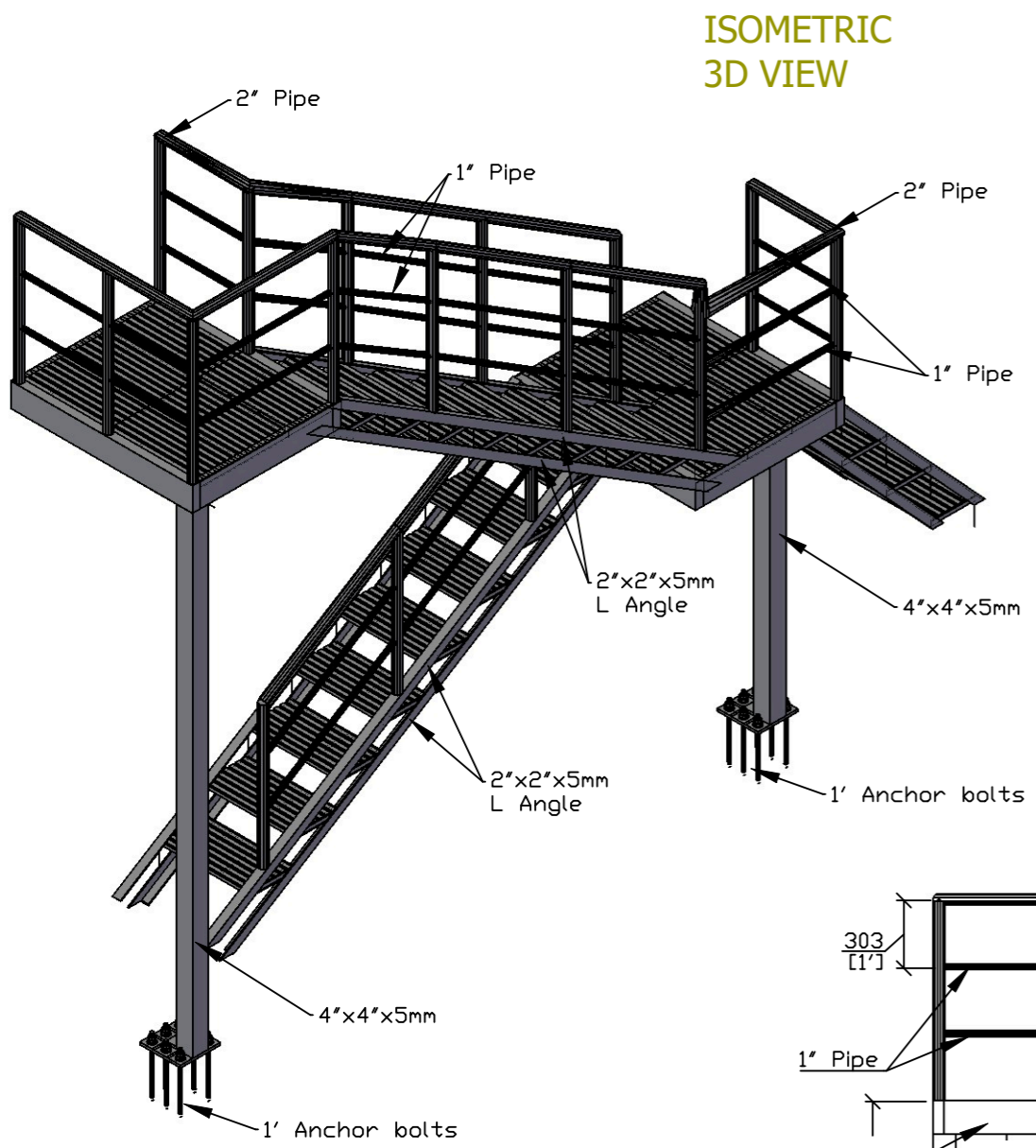
www.buildersanddesigners.com

DESIGN BY TABREZ

DRAWN BY TAHER

CHECKED BY TABREZ

DRAWING NO CHAND-01



**NOTES**

1. THIS DRAWING IS THE PROPERTY OF **SRJ PIPELINE PVT LTD.**, AND SHALL NOT BE COPIED OR USED WITHOUT PRIOR PERMISSION.
2. REFERENCE CODE: IS 800
3. THE DRAWING IS NOT TO THE SCALE. ONLY WRITTEN DIMENSION SHALL BE FOLLOWED.
4. ALL DIMENSIONS ARE IN MM.
5. IN CASE OF ANY ISSUE WITH THE DRAWING OR MEASUREMENT BEFORE TAKING A CALL WE SHOULD BE INFORMED.

**TITLE**  
**MS STAIRCASE TO FIRST FLOOR FROM SETBACK**

**SCALE:** 3/16:1  
**CLIENT:-**  
 CHANDRU

**DATE OF ISSUE:** 19.02.2026

**REVISIONS**

SN	REVISION NO	DATE
01	R0	19-02-2026

80730 21127 79753 37855

**DESIGN BY** TABREZ  
**DRAWN BY** TAHER  
**CHECKED BY** TABREZ  
**DRAWING NO** SRJASM-02